

## Valve plug with special functions

---



Switching amplifier model B (V11), compliant with DIN 43 650 (ISO 4400)

|                       |                             |  |
|-----------------------|-----------------------------|--|
| <b>Identification</b> | Type                        | LVER-V11-5610 DC 24 V                              |
|                       | Part-No.                    | 705610   |
| <b>Technical Data</b> | Function                    | Valve connector with amplifier                     |
| <b>Input Side</b>     | Rated Voltage               | DC 24 V  |
|                       | Status Indication           | Green LED  |
|                       | Protection device           | without electrical isolation                       |
| <b>General Data</b>   | Model                       | V11  |
|                       | Housing Material            | Bergamid   |
|                       | Type of protection          | IP65   |
|                       | Operating temperature range | 0 – 60 °C  |
|                       | Dimensions (W × H × D)      | 22,0 × 40,0 × 58,0 mm                              |
|                       | Weight                      | 0,036 kg/pcs                                       |
|                       | Standards                   | compliant with EN 175301-803 (DIN 43650), ISO 4400 |

14.02.2005 – Subject to technical modification

Part-No. 705610

### LUTZE INC.

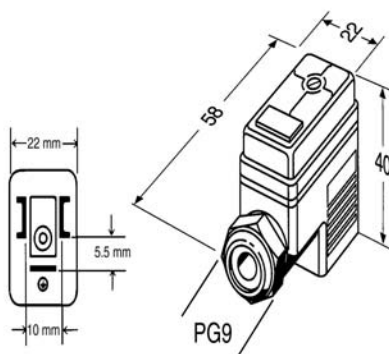
13330 South Ridge Drive • Charlotte, NC 28273, USA  
Tel. +1-704-504-02 22 • Fax +1-704-504-02 23  
<http://www.lutze.com> • e-mail: [info@lutze.com](mailto:info@lutze.com)

### LÜTZE Ltd.

Unit 3, Sandy Hill Park  
Sandy Way, Amington • GB-Tamworth, Staffordshire B77 4DU  
Tel. +44-18 27-3 13 33-0 • Fax +44-18 27-3 13 33-2  
<http://www.lutze.com> • e-mail: [sales.gb@lutze.com](mailto:sales.gb@lutze.com)

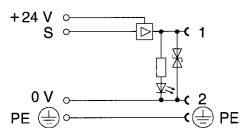
---

**Dimensioned drawing**



---

**Wiring diagram**



14.02.2005 – Subject to technical modification

Part-No. 705610

**LUTZE INC.**

13330 South Ridge Drive • Charlotte, NC 28273, USA  
Tel. +1-704-504-02 22 • Fax +1-704-504-02 23  
<http://www.lutze.com> • e-mail: [info@lutze.com](mailto:info@lutze.com)

**LÜTZE Ltd.**

Unit 3, Sandy Hill Park  
Sandy Way, Amington • GB-Tamworth, Staffordshire B77 4DU  
Tel. +44-18 27-3 13 33-0 • Fax +44-18 27-3 13 33-2  
<http://www.lutze.com> • e-mail: [sales.gb@lutze.com](mailto:sales.gb@lutze.com)