



Identification	Type	MPE-9-0828
	Part-No.	710828

Technical data	
Function type	Subplate
Pin spacing	4.5 mm
Nominal voltage	AC/DC 250 V
Rated current	4 A
Rated insulation voltage (EN 40178)	300 V
Pollution degree	2
Overvoltage category	I

General	
Housing material	PPE
Protection class	IP 00
Field installation	rail TS 35 (EN 50022)
Operation temperature range	-25 °C – 70 °C
Storage temperature range	-40 °C – 80 °C
Dimensions (w x h x d)	45.0x78.0x45.0 mm
Weight (kg/piece)	0.068
Termination	Screw terminal: 0.08–2.5 mm ²

24.07.2012 – Subject to technical modification

Part-No. 710828

USA: LUTZE INC.

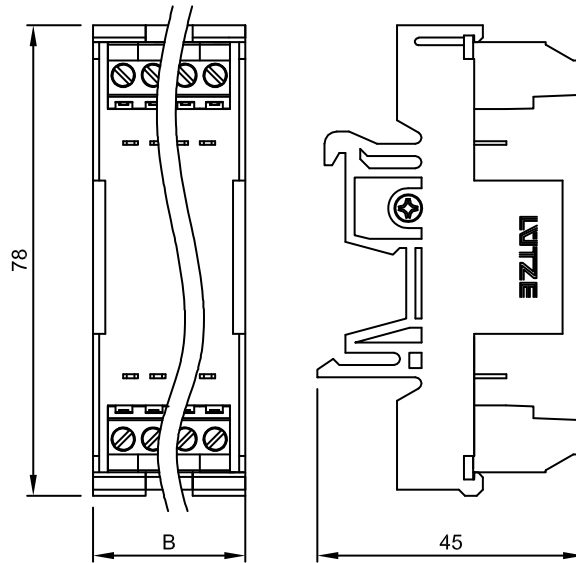
13330 South Ridge Drive • Charlotte, NC 28273, USA
 Tel. +1 (704) 504-0222 • Fax +1 (704) 504-0223
 www.lutze.com • info@lutze.com

United Kingdom: LÜTZE Ltd.

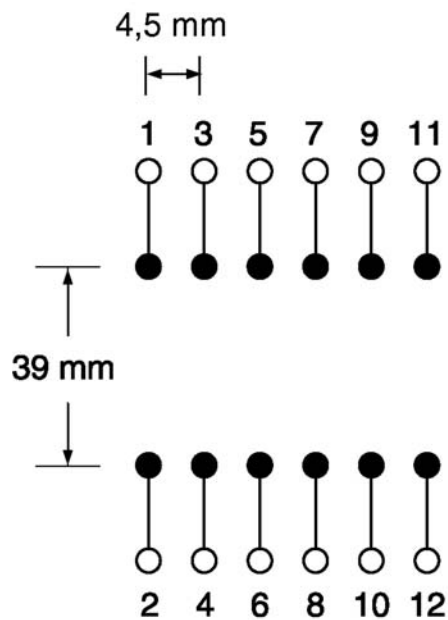
Unit 3, Sandy Hill Park
 Sandy Way, Amington • GB-Tamworth, Staffs B77 4DU
 Tel. +44 (0)1827 31333-0 • Fax +44 (0)1827 31333-2
 www.lutze.com • sales.gb@lutze.co.uk



Dimensions



PIN assignment



24.07.2012 – Subject to technical modification

Part-No. 710828

USA: LUTZE INC.

13330 South Ridge Drive • Charlotte, NC 28273, USA
Tel. +1 (704) 504-0222 • Fax +1 (704) 504-0223
www.lutze.com • info@lutze.com

United Kingdom: LÜTZE Ltd.

Unit 3, Sandy Hill Park
Sandy Way, Amington • GB-Tamworth, Staffs B77 4DU
Tel. +44 (0)1827 31333-0 • Fax +44 (0)1827 31333-2
www.lutze.com • sales.gb@lutze.co.uk



SYSTEMATIC TECHNOLOGY