

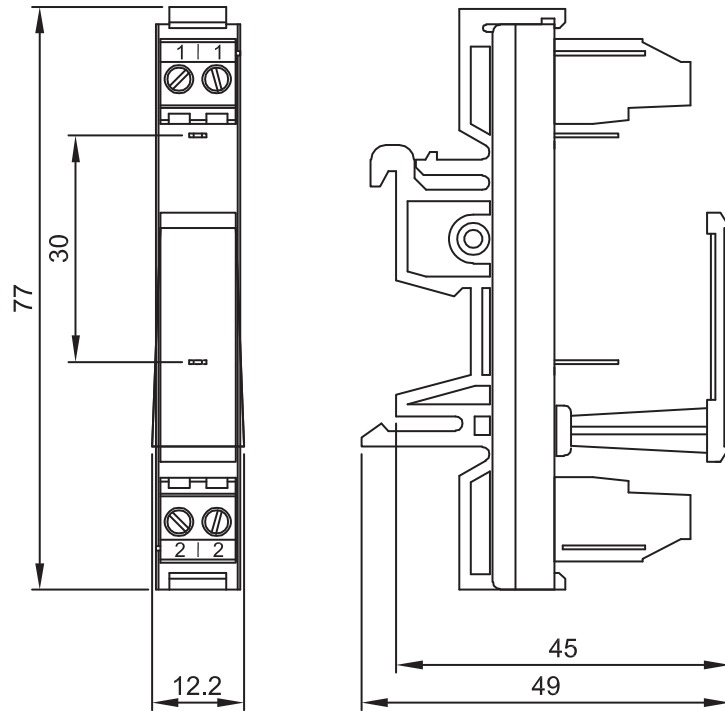
Mounting module



Identification	Type Part-No.	MPE-1-6112 716112
Use/Area of application		
Description	Mounting module with 1 equipment slot.	
Technical data		
Nominal voltage U_N	max. AC/DC 230 V	
Rated current (at U_N)	max. 4 A	
General		
Termination	Spring terminal 0.08–2.5 mm ²	
Operation temperature range	-25 – 70 °C	
Dimensions (w x h x d)	12.2x77.0x49.0 mm	
Weight (kg/piece)	0.020 (kg/piece)	
Standards	Standards Electronic equipment on railway vehicles: EN 50155 Electromagnetic compatibility: EN 50121-3-2 Insulation coordination: EN 50124-1 Vibrations and shocks: EN50155/61373	
	The standard applicable to this product is dependent on the version available for development. The standards applicable to this product are available on request.	
Miscellaneous		
Comments	For the soldering on of the assembly part, the marker holder must be rotated by 90°.	

Mounting module

Dimensions



Circuit diagram

