

regulated, 30 W



<b>Identification</b>	Type	DRA 30-05
	Part-No.	728763

**Input**

Nominal voltage	AC 100–240 V
Operation voltage range	AC 85–264 V / DC 90–375 V
Line frequency	47 Hz–63 Hz
Rated current	$U_i = AC 115 V: 360 mA$ / $U_i = AC 230 V: 190 mA$
Inrush current	$U_i = AC 115 V: 20 A$ / $U_i = AC 230 V: 40 A$
Internal fuse	T2 A / AC 250 V
External fuse	Mini-circuit breaker: B 4 A

**Load Side**

Rated voltage output	DC 5 V
Rated current output	6 A
Low power loss	8.5 A (AC 230 V)
Voltage trim range	5–5.5 V
Accuracy	±1 %
Line regulation	±0.5 %
Load regulation	±0.5 %
Rise time	1 s
Temperature coefficient	±0.03 % / °C
Ripple & Noise	<50 mV

22.08.2011 – Subject to technical modification

Part-No. 728763

USA: LUTZE INC.

13330 South Ridge Drive • Charlotte, NC 28273, USA  
 Tel. +1 (704) 504-0222 • Fax +1 (704) 504-0223  
 www.lutze.com • info@lutze.com

United Kingdom: LÜTZE Ltd.

Unit 3, Sandy Hill Park  
 Sandy Way, Amington • GB-Tamworth, Staffs B77 4DU  
 Tel. +44 (0)1827 31333-0 • Fax +44 (0)1827 31333-2  
 www.lutze.com • sales.gb@lutze.co.uk



Systematic Technology

## Technical data sheet • Power supply

Hold up time	$V_{in}= 115\text{ V}: 20\text{ ms} / V_{in}= 230\text{ V}: 30\text{ ms}$
Status indication DC ON LED green	$\geq 4\text{ V}$
Parallel/redundant operation	max. 2 devices / via external diodes
Efficiency	79 %
Rated over load protection	110–140 %
Over voltage protection	120–136 %
Short circuit characteristics	Hiccup-mode

### General

Switching frequency	approx. 80 kHz
Insulation voltage input/output	3.0 kV <sub>eff</sub>
Insulation voltage input / ground	AC 1.5 kV <sub>eff</sub>
Insulation resistance at DC 500 V	100 M $\Omega$
Operation temperature range	-25 °C – 70 °C (derating)
Derating	-2.5% / °C starting at 60 °C
Storage temperature range	-25 °C–85 °C
M.T.B.F.	551000 h
Relative humidity	20–90% RH, non-condensing
Dimensions (w × h × d)	40.5×90.0×115.0 mm
Cooling	Natural air cooling, 25 mm distance on all sides
Installation position	vertical
Housing material	Plastic
Protection class	IP 20
Field installation	rail TS 35 (EN 50022)
Application height	2000 m
IP rating	II (SELV, PELV)
Overvoltage category	II
Pollution degree	2
Weight (kg/piece)	0.290
Termination	Spring terminal: 0.2–2.0 mm <sup>2</sup>
Approvals	UL: UL 508 listed; cUL: UL 60950-1; TÜV: EN 60950-1, CE: EN 61000-6-3 / EN 55022 Class B; EN 61000-3-2, EN 601000-3-3; EN 55024; EN 61000-6-2; EN 61000-4-2; EN 61000-4-3, EN 61000-4-4; EN 61000-4-5; EN 61000-4-6; EN 61000-4-8; EN 61000-4-11
PU	1

22.08.2011 – Subject to technical modification

Part-No. 728763

USA: LUTZE INC.

13330 South Ridge Drive • Charlotte, NC 28273, USA

Tel. +1 (704) 504-0222 • Fax +1 (704) 504-0223

www.lutze.com • info@lutze.com

United Kingdom: LÜTZE Ltd.

Unit 3, Sandy Hill Park

Sandy Way, Amington • GB-Tamworth, Staffs B77 4DU

Tel. +44 (0)1827 31333-0 • Fax +44 (0)1827 31333-2

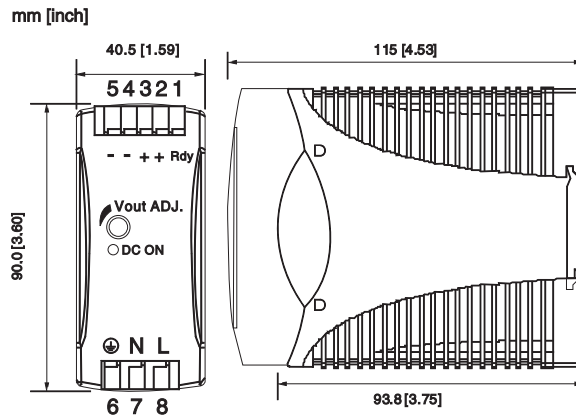
www.lutze.com • sales.gb@lutze.co.uk



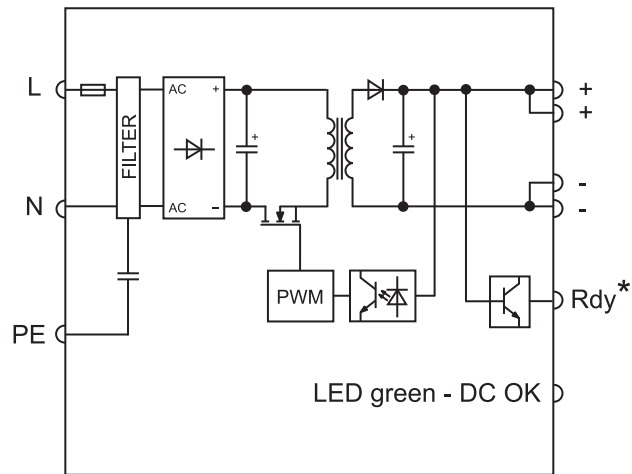
Systematic Technology

# Technical data sheet • Power supply

## Dimensions



## PIN assignment



\* for 24V version only

22.08.2011 – Subject to technical modification

Part-No. 728763

USA: LUTZE INC.

13330 South Ridge Drive • Charlotte, NC 28273, USA

Tel. +1 (704) 504-0222 • Fax +1 (704) 504-0223

www.lutze.com • info@lutze.com

United Kingdom: LÜTZE Ltd.

Unit 3, Sandy Hill Park

Sandy Way, Amington • GB-Tamworth, Staffs B77 4DU

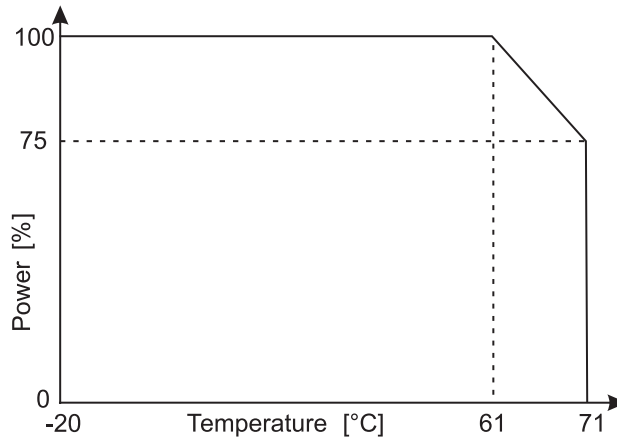
Tel. +44 (0)1827 31333-0 • Fax +44 (0)1827 31333-2

www.lutze.com • sales.gb@lutze.co.uk

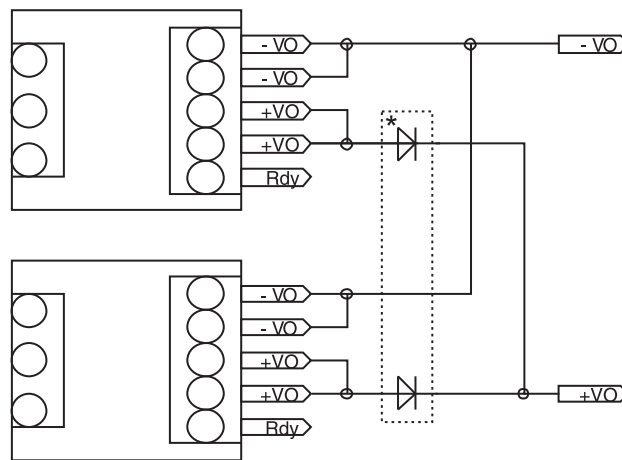


Systematic Technology

Derating



Redundant operation



\* Redundant Module 722987  
Only use together with 24V version!

22.08.2011 – Subject to technical modification

Part-No. 728763

USA: LUTZE INC.

13330 South Ridge Drive • Charlotte, NC 28273, USA  
Tel. +1 (704) 504-0222 • Fax +1 (704) 504-0223  
www.lutze.com • info@lutze.com

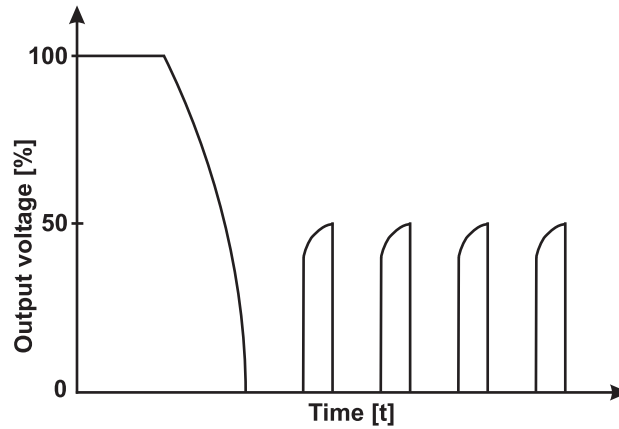
United Kingdom: LÜTZE Ltd.

Unit 3, Sandy Hill Park  
Sandy Way, Amington • GB-Tamworth, Staffs B77 4DU  
Tel. +44 (0)1827 31333-0 • Fax +44 (0)1827 31333-2  
www.lutze.com • sales.gb@lutze.co.uk



Systematic Technology

Short circuit characteristics



22.08.2011 – Subject to technical modification

Part-No. 728763

USA: LUTZE INC.

13330 South Ridge Drive • Charlotte, NC 28273, USA  
Tel. +1 (704) 504-0222 • Fax +1 (704) 504-0223  
www.lutze.com • info@lutze.com

United Kingdom: LÜTZE Ltd.

Unit 3, Sandy Hill Park  
Sandy Way, Amington • GB-Tamworth, Staffs B77 4DU  
Tel. +44 (0)1827 31333-0 • Fax +44 (0)1827 31333-2  
www.lutze.com • sales.gb@lutze.co.uk