

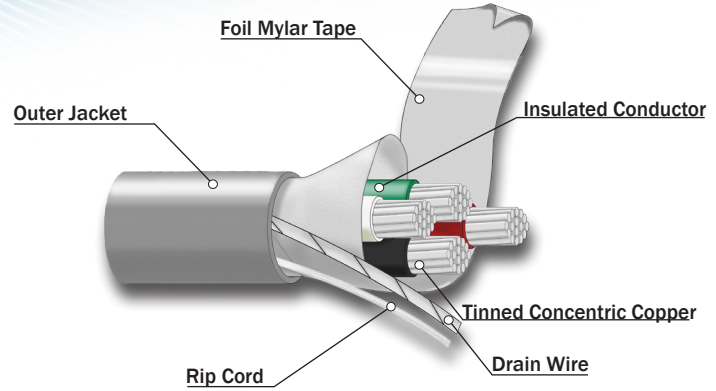
Audio/Communication Cable

Shielded Multiconductor

SPECIFICATIONS

CSA C22.2 No. 214 & CSA C22.2 No. 210.2

CSA FT4 (Vertical Tray Flame Test)



CONSTRUCTION

- Conductor:** Stranded, tinned copper
Insulation: Semi-rigid Polyvinyl Chloride (PVC)
Overall Shield: Aluminum mylar tape shield with drain wire
Outer Jacket: 105°C, Polyvinyl Chloride (PVC), Grey

- Voltage:** 600V
Options: Various colours for outer jackets
 Various compounds and colours available for insulation

Product No.	Conductors				Insulation Thickness		Outer Jacket Thickness		Nominal Diameter		Cable Weight		Maximum Pulling Tension		Colour Code Chart
	Number	AWG Size	Stranding	Drain	inches	mm	inches	mm	Outer Jacket		Lbs/ mft	kg/km	lbs	kgs	
									inches	mm					
73-032	2	24	7/32	24	0.009	0.23	0.02	0.38	0.13	3.18	8.99	13.41	3	7	1
73-313	3	24	7/32	24	0.009	0.23	0.02	0.38	0.13	3.35	11.07	16.51	5	11	1
73-034	4	24	7/32	24	0.009	0.23	0.02	0.38	0.14	3.63	12.88	19.21	7	14	1
73-315	5	24	7/32	24	0.009	0.23	0.02	0.38	0.15	3.84	20.90	31.17	8	18	1
73-316	6	24	7/32	24	0.009	0.23	0.02	0.58	0.18	4.57	24.10	35.94	10	22	1
73-317	7	24	7/32	24	0.009	0.23	0.02	0.58	0.18	4.57	25.60	38.18	11	25	1
73-318	8	24	7/32	24	0.009	0.23	0.02	0.58	0.20	5.00	28.70	42.80	13	29	1
73-319	9	24	7/32	24	0.009	0.23	0.02	0.58	0.21	5.23	32.30	48.17	15	32	1
73-320	10	24	7/32	24	0.009	0.23	0.02	0.58	0.22	5.59	34.40	51.30	16	36	1
73-323	15	24	7/32	24	0.009	0.23	0.02	0.58	0.25	6.27	40.54	60.46	24	54	2
73-324	20	24	7/32	24	0.009	0.23	0.02	0.58	0.27	6.96	58.90	87.84	33	72	2
73-325	25	24	7/32	24	0.009	0.23	0.03	0.76	0.33	8.28	70.30	104.84	41	90	2

FOR MORE INFORMATION

150 North Murray St.
 Trenton, Ontario
 (800) 263 . 3322
www.decacables.com



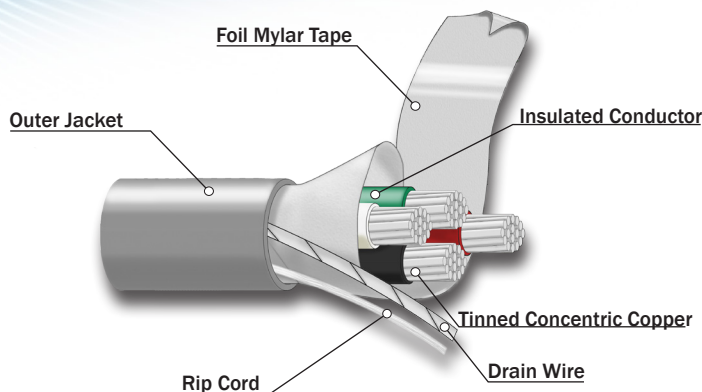
Audio/Communication Cable

Shielded Multiconductor

SPECIFICATIONS

CSA C22.2 No. 214 & CSA C22.2 No. 210.2

CSA FT4 (Vertical Tray Flame Test)



CONSTRUCTION

Conductor: Stranded, tinned copper
Insulation: Semi-rigid Polyvinyl Chloride (PVC)
Overall Shield: Aluminum mylar tape shield with drain wire
Outer Jacket: 105°C, Polyvinyl Chloride (PVC), Grey

Voltage: 600V
Options: Various colours for outer jackets
 Various compounds and colours available for insulation

Product No.	Conductors				Insulation Thickness		Outer Jacket Thickness		Nominal Diameter		Cable Weight		Maximum Pulling Tension		Colour Code Chart
	Number	AWG Size	Stranding	Drain	inches	mm	inches	mm	Outer Jacket		Lbs/mft	kg/km	lbs	kgs	
									inches	mm					
73-022	2	22	7/30	24	0.009	0.23	0.02	0.38	0.14	3.43	15.90	23.71	5	11	1
73-343	3	22	7/30	24	0.009	0.23	0.02	0.38	0.14	3.66	17.50	26.10	8	17	1
73-024	4	22	7/30	24	0.009	0.23	0.02	0.38	0.16	4.01	22.50	33.55	10	22	1
73-346	6	22	7/30	24	0.009	0.23	0.02	0.58	0.20	5.03	30.50	45.48	15	34	1
73-348	8	22	7/30	24	0.009	0.23	0.02	0.58	0.21	5.41	36.40	54.28	20	45	1
73-350	10	22	7/30	24	0.009	0.23	0.02	0.58	0.25	6.27	42.30	63.08	25	56	1
73-355	15	22	7/30	24	0.009	0.23	0.02	0.58	0.27	6.96	59.40	88.58	38	84	2
73-357	20	22	7/30	24	0.009	0.23	0.03	0.76	0.33	8.38	74.80	111.55	51	112	2
73-359	25	22	7/30	24	0.009	0.23	0.03	0.76	0.36	9.19	90.90	135.56	64	140	2
73-360	30	22	7/30	24	0.009	0.23	0.03	0.76	0.39	9.98	105.80	157.78	76	168	2
73-121	2	20	7/28	22	0.009	0.23	0.02	0.58	0.16	4.14	17.80	26.54	8	18	3
73-373	3	20	7/28	22	0.009	0.23	0.02	0.58	0.18	4.57	24.60	36.69	12	27	1
73-374	4	20	7/28	22	0.009	0.23	0.02	0.58	0.19	4.78	30.00	44.74	16	36	1
73-375	5	20	7/28	22	0.009	0.23	0.02	0.58	0.20	5.13	37.80	56.37	20	44	1
73-376	6	20	7/28	22	0.009	0.23	0.02	0.58	0.22	5.64	43.50	64.87	24	53	1
73-378	8	20	7/28	22	0.009	0.23	0.02	0.58	0.25	6.43	53.90	80.38	32	71	1
73-380	10	20	7/28	22	0.009	0.23	0.02	0.58	0.27	6.86	65.33	97.42	40	89	1
73-385	15	20	7/28	22	0.009	0.23	0.03	0.76	0.32	8.23	90.33	134.71	60	133	2
73-387	20	20	7/28	22	0.009	0.23	0.03	0.76	0.39	9.78	115.23	171.84	81	178	2
73-389	25	20	7/28	22	0.009	0.23	0.03	0.76	0.41	10.34	140.60	209.67	101	222	2
73-390	30	20	7/28	22	0.009	0.23	0.03	0.76	0.45	11.38	165.86	247.34	121	267	2

FOR MORE INFORMATION

150 North Murray St.
 Trenton, Ontario
 (800) 263 . 3322
www.decacables.com

 ECA CABLES

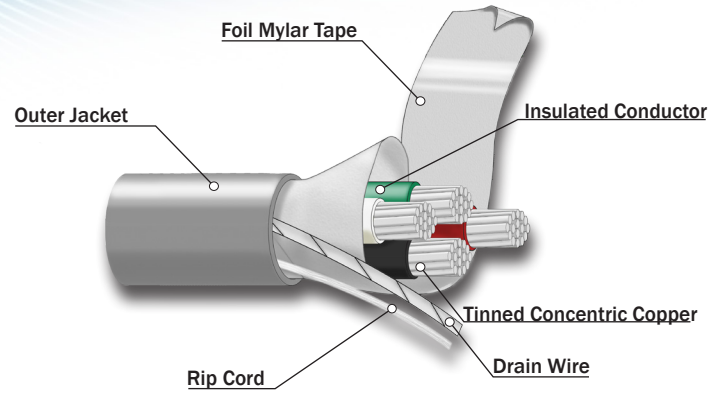
Audio/Communication Cable

Shielded Multiconductor

SPECIFICATIONS

CSA C22.2 No. 214 & CSA C22.2 No. 210.2

CSA FT4 (Vertical Tray Flame Test)



CONSTRUCTION

Conductor: Stranded, tinned copper
Insulation: Semi-rigid Polyvinyl Chloride (PVC)
Overall Shield: Aluminum mylar tape shield with drain wire
Outer Jacket: 105°C, Polyvinyl Chloride (PVC), Grey

Voltage: 600V
Options: Various colours for outer jackets
 Various compounds and colours available for insulation

Product No.	Conductors				Insulation Thickness		Outer Jacket Thickness		Nominal Diameter		Cable Weight		Maximum Pulling Tension		Colour Code Chart
	Number	AWG Size	Stranding	Drain	inches	mm	inches	mm	Outer Jacket		Lbs/mft	kg/km	lbs	kgs	
									inches	mm					
73-310	2	18	16/30	20	0.012	0.30	0.02	0.58	0.20	5.00	27.33	40.76	12	26	1
73-129	3	18	16/30	20	0.012	0.30	0.02	0.58	0.21	5.38	37.11	55.34	17	38	1
73-134	4	18	16/30	20	0.012	0.30	0.02	0.58	0.23	5.89	45.41	67.72	23	51	1
73-131	5	18	16/30	20	0.012	0.30	0.02	0.58	0.25	6.30	54.02	80.56	29	64	1
73-406	6	18	16/30	20	0.012	0.30	0.02	0.58	0.27	6.91	59.73	89.07	35	77	1
73-407	7	18	16/30	20	0.012	0.30	0.02	0.58	0.27	6.86	69.53	103.69	41	90	1
73-136	8	18	16/30	20	0.012	0.30	0.02	0.58	0.29	7.44	78.08	116.44	46	102	1
73-409	9	18	16/30	20	0.012	0.30	0.02	0.58	0.32	8.00	86.55	129.07	52	115	2
73-412	12	18	16/30	20	0.012	0.30	0.03	0.76	0.37	9.37	110.30	164.49	70	154	2
73-415	15	18	16/30	20	0.012	0.30	0.03	0.76	0.40	10.21	125.07	186.51	87	192	2
73-416	16	18	16/30	20	0.012	0.30	0.03	0.76	0.40	10.19	140.98	210.24	93	205	2
73-419	19	18	16/30	20	0.012	0.30	0.03	0.76	0.43	10.92	163.09	243.21	110	243	2
73-425	25	18	16/30	20	0.012	0.30	0.05	1.27	0.50	12.78	231.65	345.45	145	320	2
73-428	37	18	16/30	20	0.012	0.30	0.05	1.27	0.61	15.49	324.25	483.55	215	474	2

FOR MORE INFORMATION

150 North Murray St.
 Trenton, Ontario
 (800) 263 . 3322
www.decacables.com



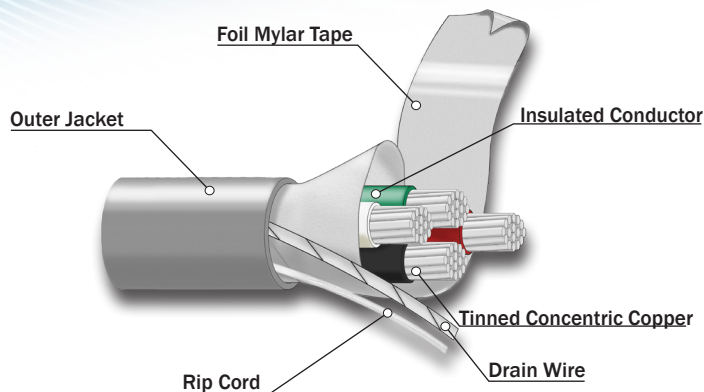
Audio/Communication Cable

Shielded Multiconductor

SPECIFICATIONS

CSA C22.2 No. 214 & CSA C22.2 No. 210.2

CSA FT4 (Vertical Tray Flame Test)



CONSTRUCTION

Conductor: Stranded, tinned copper
Insulation: Semi-rigid Polyvinyl Chloride (PVC)
Overall Shield: Aluminum mylar tape shield with drain wire
Outer Jacket: 105°C, Polyvinyl Chloride (PVC), Grey

Voltage: 600V
Options: Various colours for outer jackets
 Various compounds and colours available for insulation

Product No.	Conductors				Insulation Thickness		Outer Jacket Thickness		Nominal Diameter		Cable Weight		Maximum Pulling Tension		Colour Code Chart
	Number	AWG Size	Stranding	Drain	inches	mm	inches	mm	Outer Jacket		Lbs/mft	kg/km	lbs	kgs	
									inches	mm					
73-242	2	16	26/30	18	0.015	0.38	0.02	0.58	0.24	5.97	41.36	61.68	19	42	1
73-250	3	16	26/30	18	0.015	0.38	0.02	0.58	0.25	6.32	53.39	79.62	28	62	1
73-241	4	16	26/30	18	0.015	0.38	0.02	0.58	0.28	7.06	65.90	98.27	38	83	1
73-245	5	16	26/30	18	0.015	0.38	0.02	0.58	0.30	7.72	78.58	117.18	47	104	2
73-247	7	16	26/30	18	0.015	0.38	0.03	0.76	0.34	8.66	102.19	152.39	66	146	2
73-249	9	16	26/30	18	0.015	0.38	0.03	0.76	0.41	10.29	127.68	190.41	85	187	2
73-440	12	16	26/30	18	0.015	0.38	0.03	0.76	0.44	11.18	164.59	245.45	113	250	2
73-443	15	16	26/30	18	0.015	0.38	0.03	0.76	0.49	12.55	199.71	297.82	142	312	2
73-444	19	16	26/30	18	0.015	0.38	0.03	0.76	0.53	13.34	247.65	369.31	179	395	2
73-260	20	16	26/30	18	0.015	0.38	0.04	1.02	0.58	14.63	268.79	400.84	189	416	2
73-149	2	14	41/30	16	0.02	0.51	0.03	0.76	0.30	7.67	57.82	86.23	30	66	1
73-147	3	14	41/30	16	0.02	0.51	0.03	0.76	0.32	8.13	75.30	112.29	45	98	1
73-156	4	14	41/30	16	0.02	0.51	0.03	0.76	0.35	8.89	93.61	139.60	60	131	1
73-178	5	14	41/30	16	0.02	0.51	0.03	0.76	0.38	9.73	112.12	167.20	74	164	2
73-254	7	14	41/30	16	0.02	0.51	0.03	0.76	0.42	10.62	146.98	219.19	104	230	2

FOR MORE INFORMATION

150 North Murray St.
 Trenton, Ontario
 (800) 263 . 3322
www.decacables.com

 **ECA CABLES**