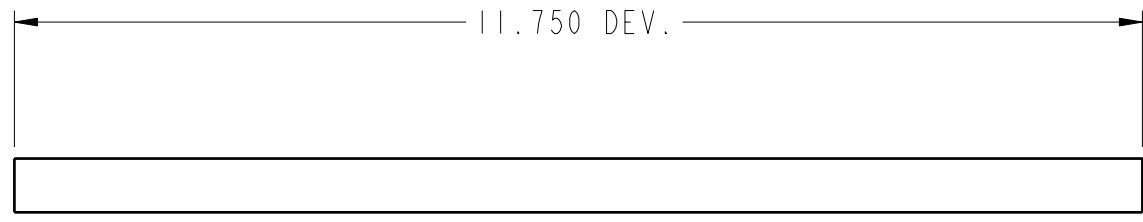


16 15 14 13 12 11 10 9 8 7 6 5 4 3 2 1

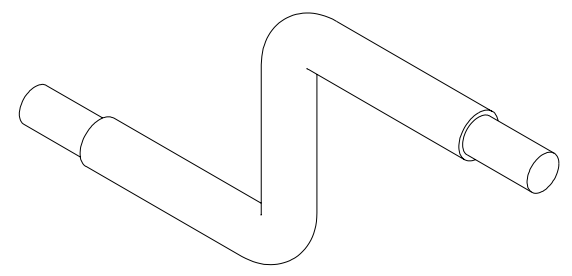
- NOTES:
1. RAWSTOCK: 1313-129600
3/0 Cu WIRE - 19 STRANDS.
 2. [] INSP - INDICATES AN IN PROCESS INSPECTION CHARACTERISTIC.
 3. TOLERANCE FOR ALL TRIMMED DIMENSIONS IS $\pm .05$

TOLERANCE FOR ALL FORMED DIMENSIONS IS $\pm .12$

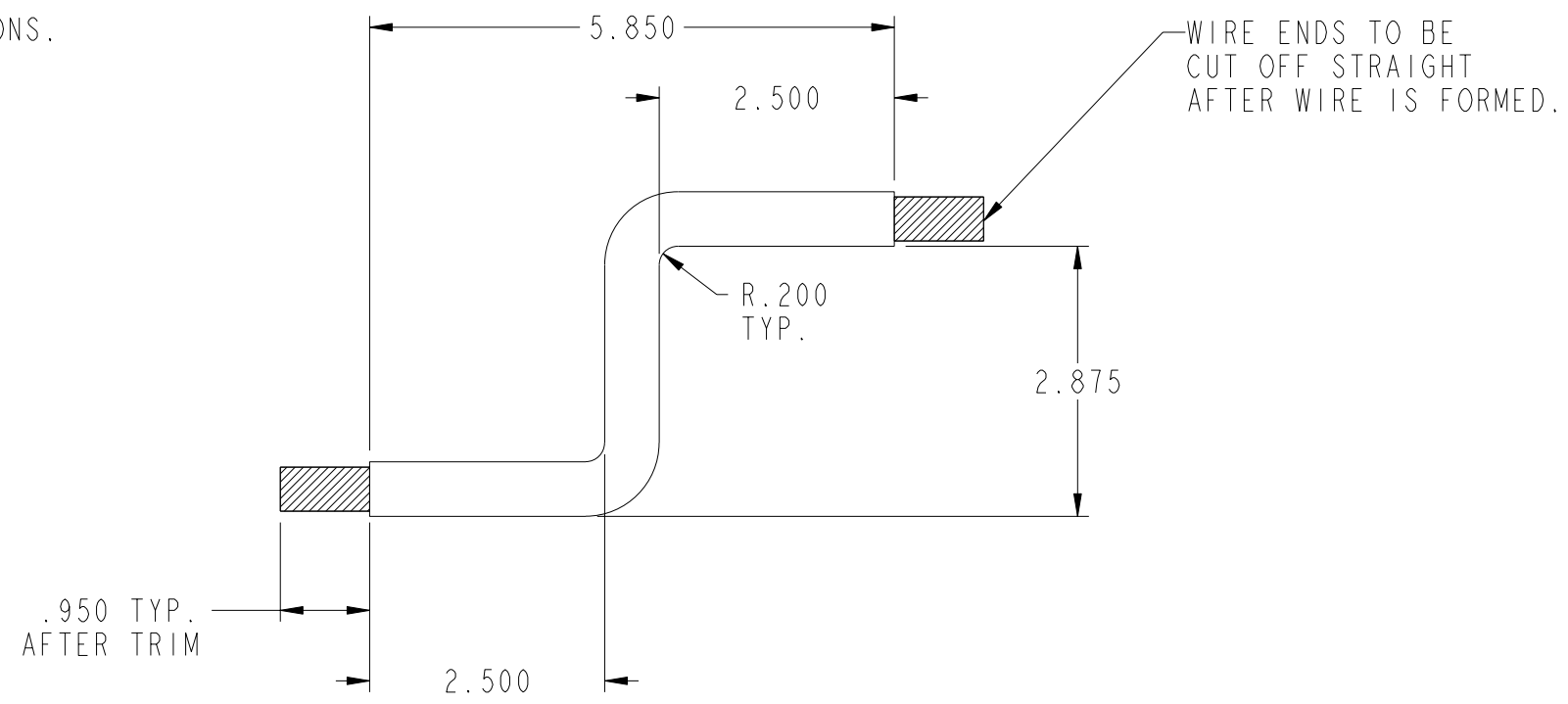
UNLESS OTHERWISE NOTED.
 4. FORMED VIEW DIMENSIONS SUPERSEDE BLANK VIEW DIMENSIONS.



BLANK VIEW



ISOMETRIC VIEW



<p>THIRD ANGLE</p>	GENERAL TOLERANCE SPEC. SEE NOTES ABOVE		<p>SQUARE D Schneider Electric</p>
	<p>DIMENSIONS ARE IN INCHES UNLESS NOTED * OR (ST) * DENOTES CRITICAL CHARACTERISTIC</p>		
<p>SQUARE D/SCHNEIDER ELECTRIC HAS PROPRIETARY RIGHTS TO THE INFORMATION CONTAINED HEREON. THIS INFORMATION REMAINS THE PROPERTY OF SQUARE D/SCHNEIDER ELECTRIC AND MAY BE REPRODUCED OR USED ONLY IN ACCORDANCE WITH INSTRUCTIONS OR PERMISSION FROM SQUARE D/SCHNEIDER ELECTRIC. THIS DOCUMENT SHALL BE RETURNED TO SQUARE D/SCHNEIDER ELECTRIC UPON REQUEST. USER SHOULD VERIFY DRAWINGS ARE THE MOST RECENT VERSION PRIOR TO USE.</p>			<p>DRW CGO CHK SLC SCALE 1:2</p>
<p>© 2007 Schneider Electric, All Rights Reserved</p>			<p>DATE 16MAR2007 ECO RS07268</p>
<p>SIZE B</p>	<p>NUMBER</p>	<p>73294-410-01</p>	<p>SHEET 1 OF 1</p>

REV	ECO	DATE	BY	REVISION DESCRIPTION

16 15 14 13 12 11 10 9 8 7 6 5 4 3 2 1