

7599-W



UPC Code: 07847730634

Country of Origin: Please Contact Customer Service

NEMA: 5-15R



Brand Features

Leviton is the leading manufacturer of Ground Fault Circuit Interrupters (GFCIs) in the electrical industry. Our renowned SmartlockPro brand offers a wide variety of Spec Grade and Hospital Grade GFCIs to protect people from electrical shock in homes, offices hospitals, schools and outdoors. Built with a patented reset lockout feature that blocks the Reset button if GFCI protection has been compromised, the GFCIs meet the latest NEC and UL requirements. You'll find smart choices for every need, including tamper-resistant, weather-resistant, hospital grade, GFCI/switch or GFCI/guide light and pilot light combinations, as well as easy-install slim versions and time-saving Lev-Lok GFCIs. SmartlockPro GFCI protection teams with an LED guide light for safety in the dark. This combination is ideal for installation in home and hotel bathrooms. A photo sensor turns the energy-efficient, long-life LED ON and OFF.

Item Description

15 Amp, 125 Volt Receptacle, 20 Amp Feed-Through, Monochromatic, SmartlockPro GFCI, back and side wired, nylon wallplate and screws included - White

Technical Information

AC Horsepower Ratings

At Rated Voltage: 1 HP

Electrical Specifications

Dielectric Voltage: Withstands 2000V per UL498

Short Circuit Current Rating: 10KA

Temperature Rise: Max 30C after 100 cycles OL at 150 percent rated current

Environmental Specifications

Flammability: Rated V-2 per UL94

Operating Temperature: -35C to +66C

Material Specifications

Face Material: Thermoplastic Nylon

Body Material: Polycarbonate

Line Contacts: Brass Double-Wipe .031 Thick

Terminal Screws: Plated Steel

Grounding Screw: Plated Steel

Yoke: Zinc-Plated Steel

Clamp Nuts: Zinc-Plated Steel

Notes: w/ Wallplate

Mechanical Specifications

Terminal ID: Brass-Hot, Green-Ground, Silver-Neutral

Terminal Accom.: 14-10 AWG

Product ID: Ratings are permanently marked on device

Product Features

Feature: SmartLock, Buttons Match Face Color

Amperage: 15 Amp

Voltage: 125 Volt

NEMA: 5-15R

Pole: 2

Trip Level: Class A, 5mA plus or minus 1mA

Wire: 3

Termination: Back & Side

Face Material: Thermoplastic Nylon

Body Material: Polycarbonate

Strap Material: Steel

Color: White

Standards and Certifications: UL/CSA

Warranty: 2-Year Limited

Grounding: GFCI Ground Fault Cir Interrupting

Notes: w/ Wallplate

Standards and Certifications

NEMA: WD-6

ANSI: C-73

UL498: Yes

CSA C22.2 No. 42: File LR-57811

NOM: 057

UL 943: File E48380

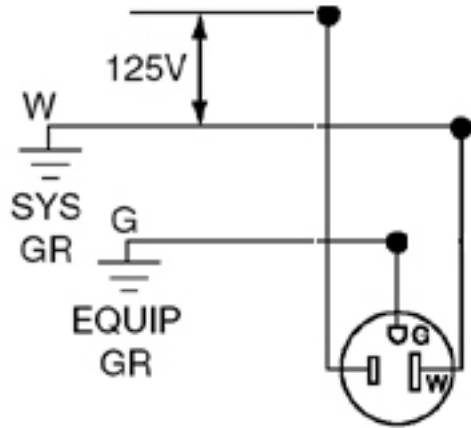
Features and Benefits

- Automatically test the GFCI every time the RESET button is pushed in. The GFCI will not reset if the GFCI circuit is not functioning properly.
- By blocking reset of the GFCI if protection has been compromised, SmartLockPRO reduces the possibility of end-users incorrectly assuming that a reset GFCI outlet is

providing ground fault protection when it actually is not.

- A line-load reversal diagnostic feature is provided which prevents the GFCI from being reset and stops power from being fed to the GFCI receptacle face or through to downstream devices. A green LED indicator on the GFCI's face also illuminates to alert the installer to the line-load wiring reversal.
- The trip latch mechanism in SmartLockPro GFCIs is a one piece "T" design for efficient operation.
- There are 4 sets of contacts for load terminals and face. SmartLockPRO GFCIs use a patented bifurcated bridge contact for efficient operation.
- Trip threshold meets or exceeds UL requirements for tripping time.
- Improved immunity to high-frequency noise reduces nuisance tripping.
- Advanced electronics design provides superior resistance to electrical surges and over-voltages.
- Expanded wiring options with nine back-wire holes. Two for each line and load connection plus one for ground with an internal clamp.
- Silver alloy contacts.
- Compatible with all Decora devices and wallplates; available in select Decora colors.

Wiring Diagram



5-15R

SPECIFICATION SUBMITTAL

JOB NAME: <input type="text"/>	CATALOG NUMBERS: <input type="text"/>	<input type="text"/>
JOB NUMBER: <input type="text"/>	<input type="text"/>	<input type="text"/>

Leviton Manufacturing Co., Inc.

201 North Service Road, Melville, NY 11747

Telephone: 1-800-323-8920 · FAX: 1-800-832-9538 · Tech Line (8:30AM-7:30PM E.S.T. Monday-Friday): 1-800-824-3005

Leviton Manufacturing of Canada, Ltd.

165 Hymus Boulevard, Pointe Claire, Quebec H9R 1E9 · Telephone: 1-800-469-7890 ·

FAX: 1-800-824-3005 · www.leviton.com/canada

Leviton S. de R.L. de C.V.

Lago Tana 43, Mexico DF, Mexico CP 11290 · Tel.: (+52)55-5082-1040 · FAX: (+52)5386-1797 · www.leviton.com.mx

Visit our Website at: www.leviton.com

© 2012-2016 Leviton Manufacturing Co., Inc. All rights reserved. Subject to change without notice.

Leviton has a global presence.

If you would like to know where your local Leviton office is located please go to: www.leviton.com/international/contacts/

