



Identification	Type	RE 7-0827 AC/DC 230 V
	Part-No.	760827
Input		
Input voltage range		184.0 V–253.0 V
Rated current		5.0 mA
Interrupting voltage		< 23 V
Protection device		Bridge rectifier
Rated insulation voltage (EN 50178)		250 V
Max. length of connecting lead		DC: 500 m AC: 40 m
Status Indication		LED yellow
Rated frequency		50–60 Hz
Load Side		
Contact type		1 change over contact
Min. switching voltage		AC/DC 17 V
Max. switching voltage		AC/DC 250 V
Min. switching current		AC/DC 5 mA
Max. switching current		AC/DC 6 A
Switching capacity AC 15		3 A
Switching capacity DC 13		at 24 V: 1 A; at 115 V: 200 mA; at 230 V: 100 mA
Max. switching capacity		1500 VA
Contact material		AgSnO ₂

17.12.2010 – Subject to technical modification

Part-No. 760827

USA: LUTZE INC.

13330 South Ridge Drive • Charlotte, NC 28273, USA
Tel. +1 (704) 504-0222 • Fax +1 (704) 504-0223
www.lutze.com • info@lutze.com

United Kingdom: LÜTZE Ltd.

Unit 3, Sandy Hill Park
Sandy Way, Amington • GB-Tamworth, Staffs B77 4DU
Tel. +44 (0)1827 31333-0 • Fax +44 (0)1827 31333-2
www.lutze.com • sales.gb@lutze.co.uk

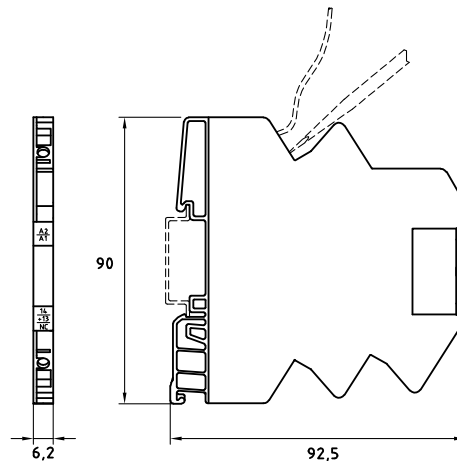
Technical data sheet • Interface Technology

Mechanical service life	>5 x 10 ⁶ operations
Switch-on delay	8 ms
Switch-off delay	13 ms
Clearance/creep. dist. (contol/load side)	>5.5 mm
Rated insulation voltage (EN 50178)	300 V

General

Housing material	PPE
Protection class	IP 20
Field installation	rail TS 35 (EN 50022)
Insulation voltage input/output	4.0 kV _{eff}
Safe isolation	yes
Operation temperature range	-25 °C – 60 °C
Storage temperature range	-40 °C – 80 °C
Dimensions (w x h x d)	6.2x90.0x92.5 mm
Weight (kg/piece)	0.035
Approvals	cULus
Termination	Screw terminal: 0.5–1.5 mm ²
PU	5

Dimensions



17.12.2010 – Subject to technical modification

Part-No. 760827

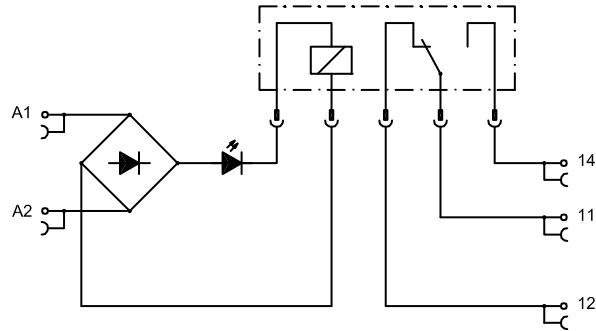
USA: LUTZE INC.

13330 South Ridge Drive • Charlotte, NC 28273, USA
Tel. +1 (704) 504-0222 • Fax +1 (704) 504-0223
www.lutze.com • info@lutze.com

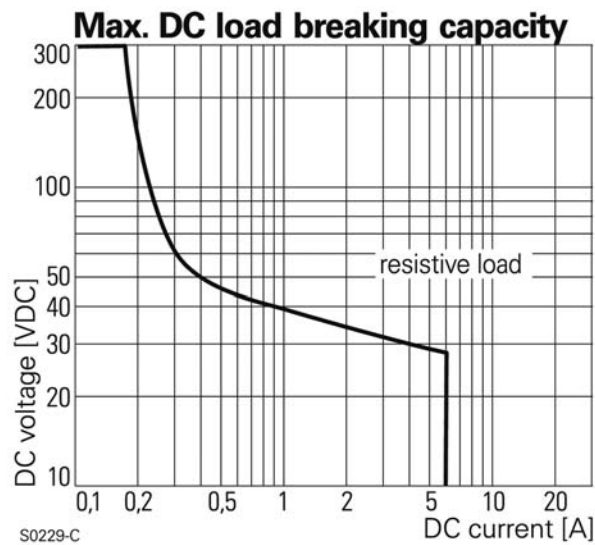
United Kingdom: LÜTZE Ltd.

Unit 3, Sandy Hill Park
Sandy Way, Amington • GB-Tamworth, Staffs B77 4DU
Tel. +44 (0)1827 31333-0 • Fax +44 (0)1827 31333-2
www.lutze.com • sales.gb@lutze.co.uk

PIN assignment



Limit curve



Accessories

Accessories	Colour	Article number	Type	PU
Replacement relay for 76X821		768002	Relay SNR 24V 1W	20
Ersatzrelais für 76X822 / 76x828		768001	Relay SNR 12V 1W	20
Replacement relay for 76X826 / 76X827		768003	Relay SNR 60V 1W	20
Tag holder 4x11 mm	white	681313	BZT 0411	100
Isolation plate		760809	TP 7-0809	5
Labels for laser printer A4 unpunched		681031	LEB-A4	1
Labels for laser printer 4.23 x 11 mm (Sheet with 1056 labels)		681034	LEB 0411	1

Accessories

17.12.2010 – Subject to technical modification

Part-No. 760827

USA: LUTZE INC.

13330 South Ridge Drive • Charlotte, NC 28273, USA
 Tel. +1 (704) 504-0222 • Fax +1 (704) 504-0223
 www.lutze.com • info@lutze.com

United Kingdom: LÜTZE Ltd.

Unit 3, Sandy Hill Park
 Sandy Way, Amington • GB-Tamworth, Staffs B77 4DU
 Tel. +44 (0)1827 31333-0 • Fax +44 (0)1827 31333-2
 www.lutze.com • sales.gb@lutze.co.uk



Systematic Technology

Technical data sheet - Interface Technology

Accessories	Colour	2-pole	3-pole	4-pole	8-pole	16-pole	PU
Jumper comb 6A	red	762802	762805	762812	762822	762832	10
Jumper comb 6A	white	762803	762806	762813	762823	762833	10
Jumper comb 6A	blue	762804	762807	762814	762824	762834	10

Comments

For operation with rated voltage and 100% ED over 24h/day, a distance of = 10 mm must be complied with between the modules or to the neighboring switching components.

17.12.2010 – Subject to technical modification

Part-No. 760827

USA: LUTZE INC.

13330 South Ridge Drive • Charlotte, NC 28273, USA
Tel. +1 (704) 504-0222 • Fax +1 (704) 504-0223
www.lutze.com • info@lutze.com

United Kingdom: LÜTZE Ltd.

Unit 3, Sandy Hill Park
Sandy Way, Amington • GB-Tamworth, Staffs B77 4DU
Tel. +44 (0)1827 31333-0 • Fax +44 (0)1827 31333-2
www.lutze.com • sales.gb@lutze.co.uk



Systematic Technology