

PUSH WIRE® connector for junction boxes; 8-conductor terminal block; transparent housing; green cover

Item No.: 773-118



PUSH WIRE® connector for junction boxes; 8-conductor terminal block; transparent housing; green cover

Marking

RoHS ✓
Compliant

Business data

Supplier	WAGO
Item no.	773-118
GTIN / EAN	4055143237567
Content	1
Order amount	50
Customer item number	

Notes

Technical data

Miscellaneous

Total number of connection points	8
Total number of potentials	1
Color	transparent
Pollution degree (1)	2
Rated voltage EN (1) [V]	400 [V]
Rated surge voltage (1) [kV]	4 [kV]
Nominal current [A]	24 [A]
Connection technology (1)	PUSH WIRE®
Solid sizes 1	0.75 ... 2.5 mm ² / 18 ... 12 AWG

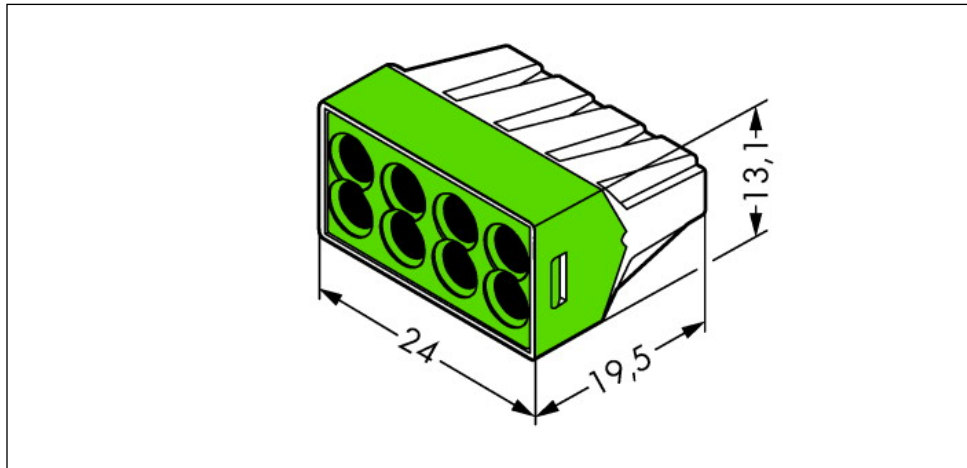
Printview: PUSH WIRE® connector for junction boxes; 8-conductor terminal block; transparent housing; green cover - Item No.: 773-118

Technical data	
<i>Strip length 1</i>	<i>12 mm / 0.47 in</i>
<i>Type of wiring</i>	<i>Side-entry wiring</i>
<i>Fire load [MJ]</i>	<i>0.099 [MJ]</i>
<i>Weight [g]</i>	<i>4.578 [g]</i>
<i>Width</i>	<i>24 mm / 0.945 in</i>
<i>Height</i>	<i>13.1 mm / 0.516 in</i>
<i>Length</i>	<i>19.5 mm / 0.768 in</i>
<i>Safety information 1</i>	<i>In grounded power lines</i>

Images & drawings



Printview: PUSH WIRE® connector for junction boxes; 8-conductor terminal block; transparent housing; green cover - Item No.: 773-118



Address

WAGO Kontakttechnik GmbH & Co. KG

Hansastr. 27

32423 Minden

Telefon: 0571/887-0

Fax: 0571/887-169

<http://www.wago.com>

© WAGO Kontakttechnik GmbH & Co. KG

Technische Änderungen und Irrtümer vorbehalten.