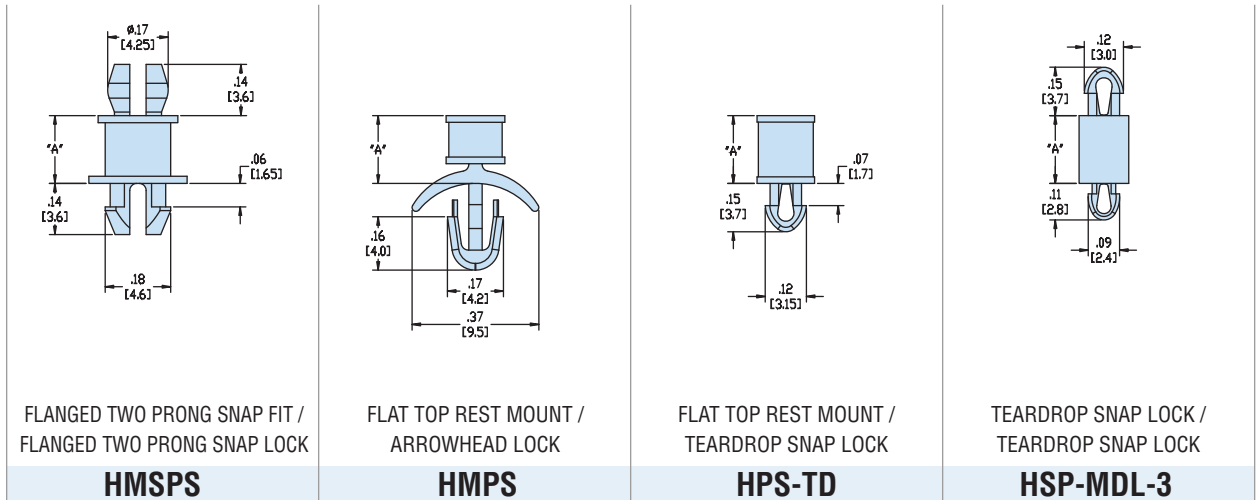


## Heyco® Nylon PCB Supports - Imperial Spacing



	Maximum Thickness		Mounting Hole Diameter		Maximum Thickness		Mounting Hole Diameter		Maximum Thickness		Mounting Hole Diameter		Maximum Thickness		Mounting Hole Diameter	
	in.	mm.	in.	mm.	in.	mm.	in.	mm.	in.	mm.	in.	mm.	in.	mm.	in.	mm.
<b>PCB</b>	.062	1,6	.157	4,0	flat top rest mount				flat top rest mount				.062	1,6	.098	2,5
<b>Chassis</b>	.062	1,6	.157	4,0	.078	2,0	.125	3,2	.062	1,6	.098	2,5	.039	1,0	.078	2,0

A		PART NO. Natural	DESCRIPTION	PART NO. Natural	DESCRIPTION	PART NO. Natural	DESCRIPTION	PART NO. Natural	DESCRIPTION
in.	mm.								
.063	1,6					<b>10341</b>	HPS-TD-01	<b>10352</b>	HSP-MDL-3-01
.125	3,2			<b>10331</b>	HMPS-02	<b>10342</b>	HPS-TD-02	<b>10353</b>	HSP-MDL-3-02
.187	4,8	<b>10320</b>	HMSPS-03	<b>10332</b>	HMPS-03	<b>10343</b>	HPS-TD-03	<b>10354</b>	HSP-MDL-3-03
.250	6,4	<b>10321</b>	HMSPS-04	<b>10333</b>	HMPS-04	<b>10344</b>	HPS-TD-04	<b>10355</b>	HSP-MDL-3-04
.312	7,9	<b>10322</b>	HMSPS-05	<b>10334</b>	HMPS-05	<b>10345</b>	HPS-TD-05	<b>10356</b>	HSP-MDL-3-05
.375	9,5	<b>10323</b>	HMSPS-06	<b>10335</b>	HMPS-06	<b>10346</b>	HPS-TD-06	<b>10357</b>	HSP-MDL-3-06
.437	11,1	<b>10324</b>	HMSPS-07	<b>10336</b>	HMPS-07	<b>10347</b>	HPS-TD-07		
.500	12,7	<b>10325</b>	HMSPS-08	<b>10337</b>	HMPS-08	<b>10348</b>	HPS-TD-08		
.562	14,3			<b>10338</b>	HMPS-09	<b>10349</b>	HPS-TD-09		
.625	15,9	<b>10326</b>	HMSPS-10	<b>10339</b>	HMPS-10	<b>10350</b>	HPS-TD-10		
.689	17,5	<b>10327</b>	HMSPS-11						
.750	19,1	<b>10328</b>	HMSPS-12						
.875	22,2	<b>10329</b>	HMSPS-14						

Standard color natural. For special order parts in UL 94V-0 natural material, add the suffix "F" to Part No.

Material: Nylon 6/6  
 Flammability Rating: 94V-2  
 Temperature Range: -40°F (-40°C) to 185°F (85°C)

*Quick  
Specs*