

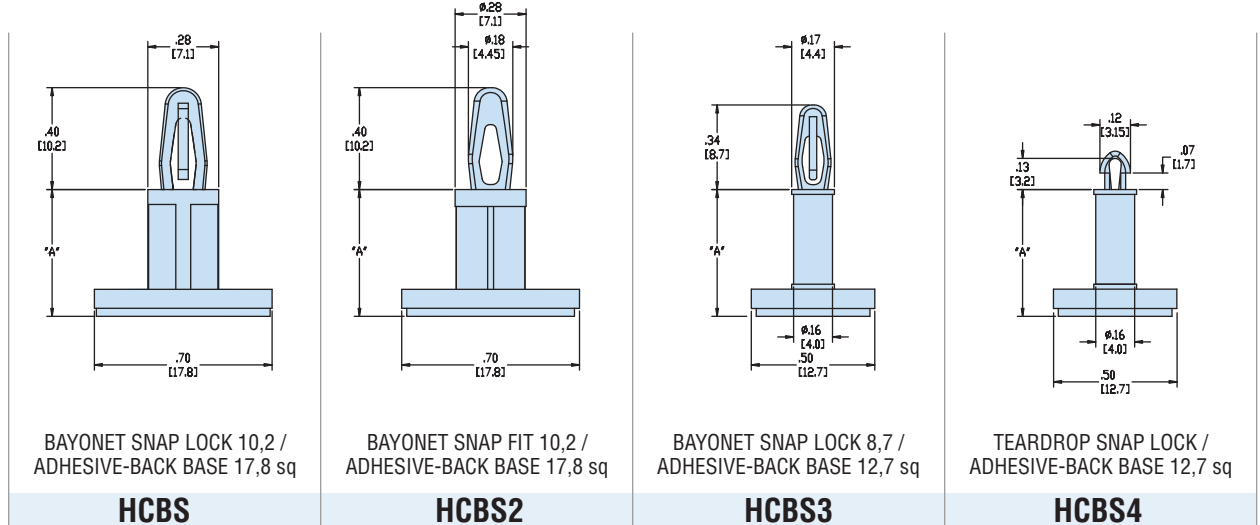
“Stay Connected” with



HEYware

a PennEngineering® Company

Heyco® Nylon PCB Supports - Adhesive-Back Mount



PCB	Maximum Thickness		Mounting Hole Diameter		Chassis
	in.	mm.	in.	mm.	
HCBS	.062	1,6	.157	4,0	adhesive-back mount
HCBS2	.062	1,6	.157	4,0	adhesive-back mount
HCBS3	.062	1,6	.125	3,2	adhesive-back mount
HCBS4	.062	1,6	.098	2,5	adhesive-back mount

A		PART NO.	DESCRIPTION	PART NO.	DESCRIPTION	PART NO.	DESCRIPTION	PART NO.	DESCRIPTION
in.	mm.	Natural		Natural		Natural		Natural	
.187	4,8	10772	HCBS-03-AB	10784	HCBS2-03-AB	10794	HCBS3-03-AB	10803	HCBS4-03-AB
.250	6,4	10773	HCBS-04-AB	10785	HCBS2-04-AB	10795	HCBS3-04-AB	10804	HCBS4-04-AB
.312	7,9					10796	HCBS3-05-AB		
.375	9,5	10774	HCBS-06-AB	10786	HCBS2-06-AB	10797	HCBS3-06-AB	10805	HCBS4-06-AB
.437	11,1					10798	HCBS3-07-AB	10806	HCBS4-07-AB
.500	12,7	10775	HCBS-08-AB	10787	HCBS2-08-AB	10799	HCBS3-08-AB	10807	HCBS4-08-AB
.562	14,3					10800	HCBS3-09-AB		
.625	15,9	10776	HCBS-10-AB	10788	HCBS2-10-AB	10801	HCBS3-10-AB	10808	HCBS4-10-AB
.750	19,1	10777	HCBS-12-AB	10789	HCBS2-12-AB				
.875	22,2	10778	HCBS-14-AB	10790	HCBS2-14-AB				
1.000	25,4	10779	HCBS-16-AB	10791	HCBS2-16-AB				
1.125	28,6	10780	HCBS-18-AB	10792	HCBS2-18-AB				

Standard color natural.

Quick Specs

Material: Nylon 6/6
 Flammability Rating: 94V-2
 Temperature Range: -40°F (-40°C) to 185°F (85°C)