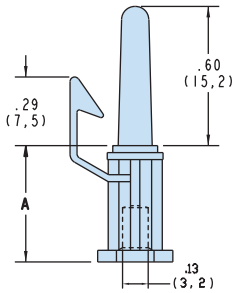


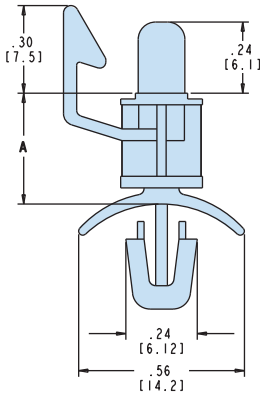
Heyco® Nylon PCB Supports - Edge Holding

▼ ALL NEW PRODUCTS! ▼



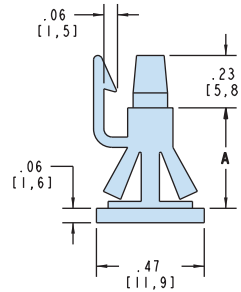
EDGE SNAP LOCK /
#6 SELF-TAPPING SCREW

HTEHCBS



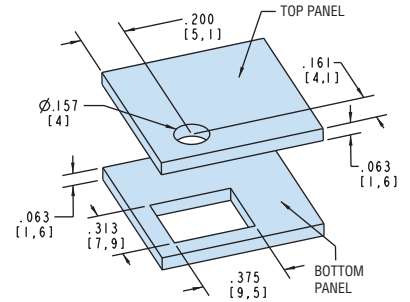
EDGE SNAP LOCK /
ARROWHEAD SNAP LOCK

HEHCBS-7



EDGE SNAP LOCK /
REVERSE RECTANGULAR LOCK

HRLEHCBS



PCB	Maximum Thickness		Mounting Hole Diameter		Maximum Thickness		Mounting Hole Diameter		Maximum Thickness		Mounting Hole Diameter	
	in.	mm.	in.	mm.	in.	mm.	in.	mm.	in.	mm.	in.	mm.
	.062	1,6	.157	4,0	.062	1,6	.157	4,0	.062	1,6	.157	4,0
Chassis	Varies		#6 Screw		.078	2,0	.187	4,8	Varies		#6 Screw	

A	PART NO.	DESCRIPTION	PART NO.	DESCRIPTION	PART NO.	DESCRIPTION
in. mm.	Natural*		Natural*		Black	
.250 6,4	10935	HTEHCBS-04				
.312 7,9	10936	HTEHCBS-05			10885B	HRLEHCBS-05
.375 9,5	10937	HTEHCBS-06	10825	HEHCBS-7-06	10886B	HRLEHCBS-06
.500 12,7	10939	HTEHCBS-08				
.625 15,9	10941	HTEHCBS-10				
.750 19,1	10942	HTEHCBS-12				
.875 22,2	10943	HTEHCBS-14	10826	HEHCBS-7-14		
1.000 25,4	10944	HTEHCBS-16				

Standard color as shown. *For special order parts in UL 94V-0 material, add the suffix “F” to Part No.

Material: Nylon 6/6
 Certifications: Recognized under the Component Program of Underwriters' Laboratories File F197049
 Flammability Rating: 94V-2
 Temperature Range: -40°F (-40°C) to 185°F (85°C)

*Quick
Specs*