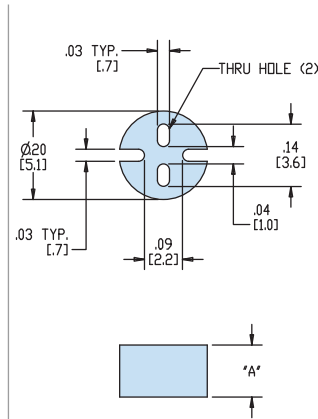
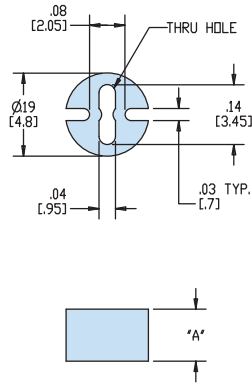


Heyco® PVC and Nylon LED Spacers



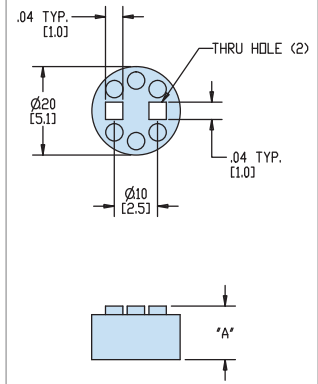
Fits T-1 3/4 (5 mm)

HLEDM-1



Fits T-1 (3 mm)

HLEDM-2



Fits T-1 3/4 (5 mm)

HLEDS2M

A mm.	PART NO. Black PVC	DESCRIPTION	PART NO. Black V-0	DESCRIPTION
2,0	11000	HLEDM-1-03M	11002F	HLEDM-2-02M
3,0			11003F	HLEDM-2-03M
5,0			11004F	HLEDM-2-05M
6,0			11005F	HLEDM-2-06M
7,0			11006F	HLEDM-2-07M
10,0			11010F	HLEDM-2-10M
12,0			11007F	HLEDM-2-12M
13,0			11008F	HLEDM-2-13M
17,0			11009F	HLEDM-2-17M
25,0			11001	HLEDM-1-25M

A		PART NO.	DESCRIPTION
in.	mm.	Natural	
.122	3,1	11011	HLEDS2M-120
.141	3,6	11012	HLEDS2M-140
.161	4,1	11013	HLEDS2M-160
.177	4,5	11014	HLEDS2M-180
.200	5,1	11015	HLEDS2M-200
.220	5,6	11016	HLEDS2M-220
.240	6,1	11017	HLEDS2M-240

Standard color as noted.

Heyco® Surface Mount Miniature Connectors

For additional information about Heyco PCB Surface Mount Miniature Connectors for LED PCB's, see page 8-37.



AWG	WIRE		Type	AMPS North America	POLES	PART NO. White	DESCRIPTION	Pieces per Coil	Coils per Box
	Size	mm ²							
SMMC Series									
24	0,20-		Solid or	6	1	4320	SMMC-1	2000	10
18	0,75		Flexible		2				
SMMC Release Pin Tool						0995	SMMC-T		

*Quick
Specs*

	HLEDM-1	HLEDM-2	HLEDS2M
Material	PVC	PVC	Nylon 6/6
Flammability Rating	94HB	94V-0	94V-2
Temperature Range	32°F (0°C) to 185°F (85°C) (All)		