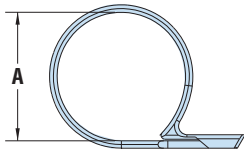
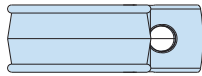




- Interlocking surfaces prevent the cable clamp from separating when installing the mounting screw.
- Easily guide and locate wires and cables.
- Designed with rounded edges to prevent chaffing and cutting wire insulation.



CCSA Series

## Heyco® Self-Aligning Nylon Cable Clamps

MOUNTING HOLE DIAMETER		SCREW SIZE		PART DIMENSION A		PART NO.		DESCRIPTION
in.	mm.			in.	mm.	Black	Natural	
.390" (9,9 mm) Wide, .04" (1,0 mm) Thick								
.187	4,7	10	.125	3,2	<b>13050B</b>	<b>13050</b>	CCSA 1/8	
			.187	4,7	<b>13051B</b>	<b>13051</b>	CCSA 3/16	
			.250	6,3	<b>13052B</b>	<b>13052</b>	CCSA 1/4	
			.312	7,9	<b>13053B</b>	<b>13053</b>	CCSA 5/16	
			.375	9,5	<b>13054B</b>	<b>13054</b>	CCSA 3/8	
.500	12,7			<b>13056B</b>	<b>13056</b>	CCSA 1/2*		
.500" (12,7 mm) Wide, .06" (1,5 mm) Thick								
.187	4,7	10	.625	15,9	<b>13058B</b>	<b>13058</b>	CCSA 5/8	
			.750	19,1	<b>13060B</b>	<b>13060</b>	CCSA 3/4	
			1.000	25,4	<b>13062B</b>	<b>13062</b>	CCSA 1	

Standard colors black and natural.

\*.06" (1,5 mm) Thick



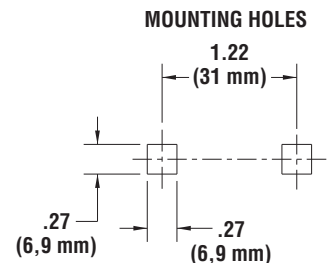
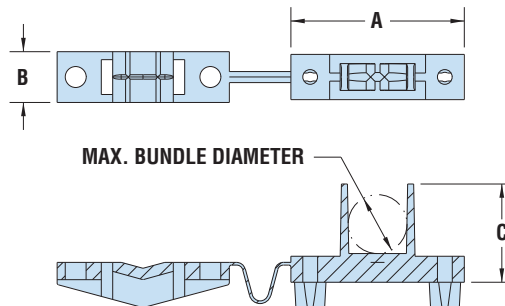
- Locking hinged design holds cables securely in place while providing strain relief.
- Prevents vibration from disrupting cables.



## Heyco® Hinged Locking Cable Clamps

MAXIMUM BUNDLE DIA.	PANEL THICKNESS RANGE				PART NO.	DESCRIPTION	PART DIMENSIONS						
	Minimum		Maximum				A Length		B Width		C Height		
	in.	mm.	in.	mm.	Natural			in.	mm.	in.	mm.	in.	mm.
.47	12,0	.031	0,8	.047	1,2	<b>12666</b>	CCHL-47-047	1.72	43,7	.47	12,0	1.04	26,5
.59	15,1	.024	0,6	.059	1,5	<b>12665</b>	CCHL-59-059	1.57	39,8	.46	11,8	.94	24,0

Standard color natural.



Quick Specs

Material	Nylon 6/6
Flammability Rating	94V-2
Temperature Range	32°F (0°C) to 185°F (85°C)