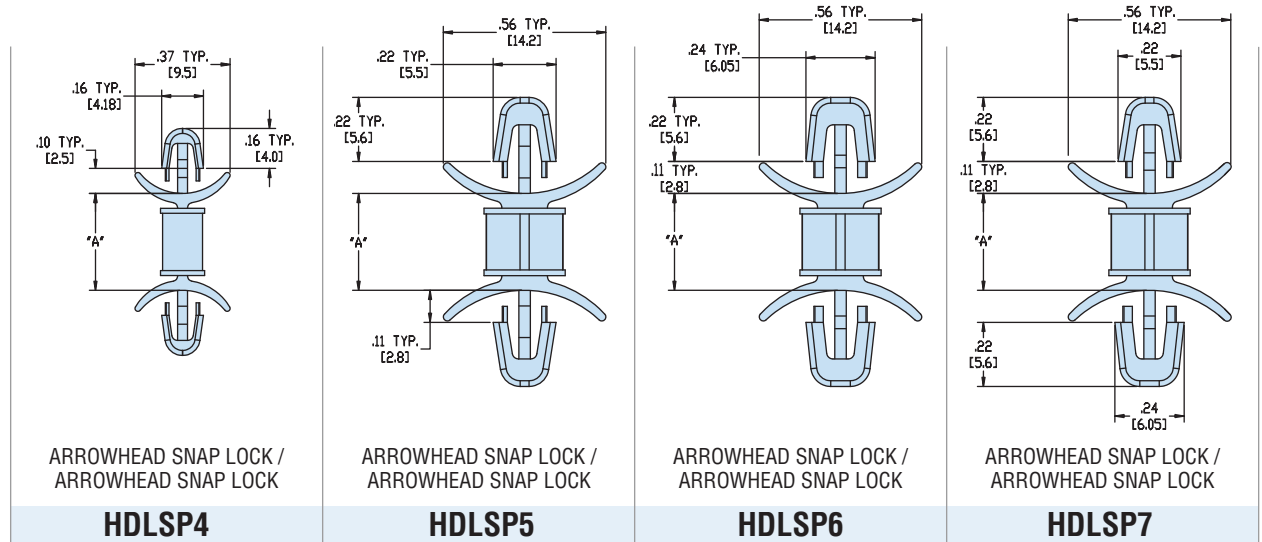


Heyco® Nylon PCB Supports - Imperial Spacing



	Maximum Thickness		Mounting Hole Diameter		Maximum Thickness		Mounting Hole Diameter		Maximum Thickness		Mounting Hole Diameter		Maximum Thickness		Mounting Hole Diameter	
	in.	mm.	in.	mm.	in.	mm.	in.	mm.	in.	mm.	in.	mm.	in.	mm.	in.	mm.
PCB	.078	2,0	.125	3,2	.078	2,0	.157	4,0	.078	2,0	.187	4,8	.078	2,0	.157	4,0
Chassis	.078	2,0	.125	3,2	.078	2,0	.157	4,0	.078	2,0	.187	4,8	.078	2,0	.187	4,8

A	PART NO. Natural	DESCRIPTION	PART NO. Natural	DESCRIPTION	PART NO. Natural	DESCRIPTION	PART NO. Natural	DESCRIPTION	PART NO. Natural	DESCRIPTION
.187	10199	HDLSP4-03	10209	HDLSP5-03	10217	HDLSP6-03	10225	HDLSP7-03		
.250	10200	HDLSP4-04	10210	HDLSP5-04	10218	HDLSP6-04	10226	HDLSP7-04		
.312	10201	HDLSP4-05								
.375	10202	HDLSP4-06	10211	HDLSP5-06	10219	HDLSP6-06	10227	HDLSP7-06		
.437	10203	HDLSP4-07	10216	HDLSP5-07						
.500	10204	HDLSP4-08	10212	HDLSP5-08	10220	HDLSP6-08	10228	HDLSP7-08	NEW!	
.562	10205	HDLSP4-09								
.625	10206	HDLSP4-10	10213	HDLSP5-10	10221	HDLSP6-10	10229	HDLSP7-10		
.750			10214	HDLSP5-12	10222	HDLSP6-12	10230	HDLSP7-12		
.875	10207	HDLSP4-14	10215	HDLSP5-14	10223	HDLSP6-14	10231	HDLSP7-14		

Standard color natural. For special order parts in UL 94V-0 natural material, add the suffix "F" to Part No.

Quick Specs

Material: Nylon 6/6
 Flammability Rating: 94V-2
 Temperature Range: -40°F (-40°C) to 185°F (85°C)