

"Stay Connected" with

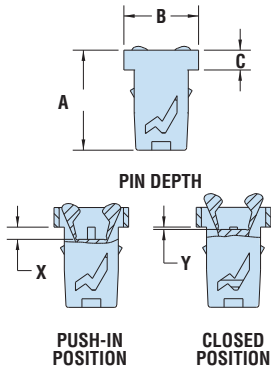


HEYware

a PennEngineering® Company



- Panels easily open when gently pushed in.
- Easy installation – snaps into hole in panel.
- Enables a single latch to accommodate multiple panel thicknesses.

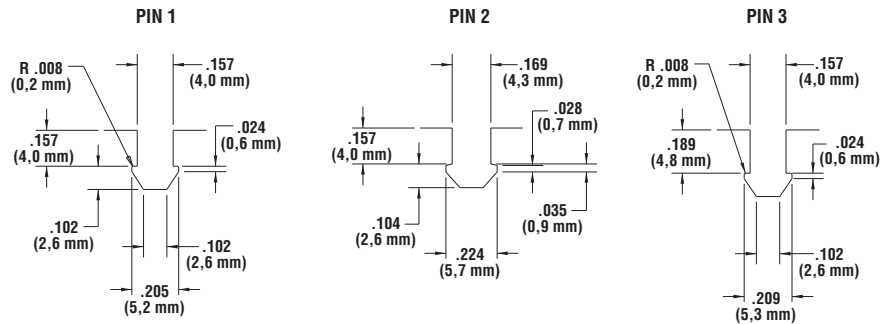


Heyco® Push Latches

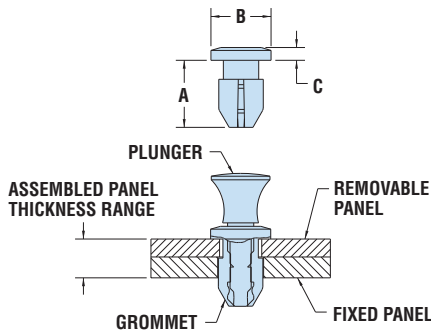


MOUNTING HOLE Dimensions		PANEL THICKNESS		PART NO.		DESCRIPTION	Mating Pin	PIN DEPTH				PART DIMENSIONS					
in.	mm.	in.	mm.	Black	White			X Push-in	Y Closed	A Length	B Arm Spread	C Head Height	in.	mm.	in.	mm.	in.
.315 x .276	8,0 X 7,0	.08	2,0	14309		DPL-100A	1	.071	1,80	.014	0,35	.59	15,0	.43	11,0	.11	2,9
				14312		DPL-150F	2	.077	1,95	.020	0,50	.58	14,8	.43	11,0	.11	2,9
				14313		DPL-700F	2	.073	1,85	.020	0,50	.58	14,8	.43	11,0	.11	2,9
				14314		DPL-400P	3	.059	1,50	.016	0,40	.58	14,8	.43	11,0	.12	3,1

Standard color black



- Designed for fast and easy installation and removal - simply push to fasten and pull to release.
- Ideal for frequent maintenance work.
- Typical applications include metal enclosures, telecom equipment, appliances and electrical equipment.



Heyco® Snap Latch Rivets



Grommet

FIXED PANEL HOLE DIAMETER	REMOVABLE PANEL THICKNESS	PART NO.		DESCRIPTION	MATING PLUNGER		PART DIMENSIONS						
		Black	White		Black	White	A Body Length	B Head Diameter	C Head Height	in.	mm.	in.	mm.
.253	.043	1,1	12283	12284	HSLG-1M	12261	12262	.31	8,0	.33	8,5	.07	1,8
	.063	1,6	12285	12286	HSLG-2M	12263	12264	.33	8,5	.33	8,5	.07	1,8
	.098	2,5	12287	12288	HSLG-3M	12265	12266	.37	9,5	.33	8,5	.07	1,8
	.161	4,1	12289	12290	HSLG-4M	12267	12268	.43	11,0	.33	8,5	.07	1,8

Standard colors black and white.

Plunger

REMOVABLE PANEL HOLE DIAMETER	ASSEMBLED PANEL THICKNESS RANGE	PART NO.		DESCRIPTION	MATING GROMMET	
		Black	White		Black	White
.237	1,5 - 1,6	12261	12262	HSLPB-1M	12283	12284
	2,0 - 2,1	12263	12264	HSLPB-2M	12285	12286
	3,0 - 3,1	12265	12266	HSLPB-3M	12287	12288
	4,6 - 4,7	12267	12268	HSLPB-4M	12289	12290

Standard colors black and white.

Material	Nylon 6/6
Flammability Rating	94V-2
Temperature Range	32°F (0°C) to 185°F (85°C)

Quick Specs