

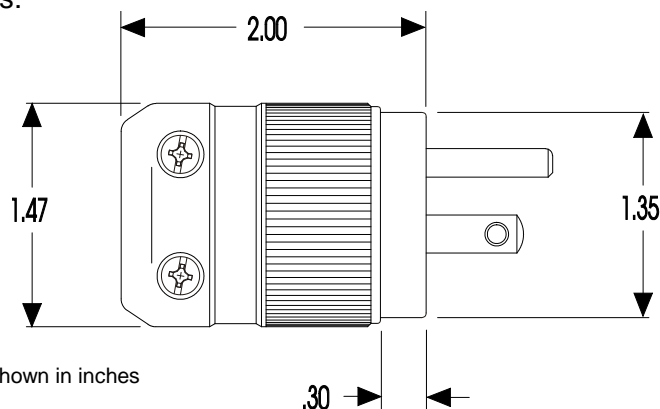
Web site: www.marinco.com
Phone: 800-307-6702
Date: December, 2011 Rev: 00

Hospital Grade Plug, straight
15A, 125V
NEMA 5-15P

Catalog Number: 8215, 8215T

- Item:** Hospital Grade Plug, straight blade
- Rating:** 15 amperes, 125 volts, NEMA Configuration 5-15P
- Materials:** Body and cord clamp are nylon with CTI greater than 600 volts. Rear housing is black (8215) or clear (8215T) polycarbonate (UL listed for 130° C and 94HB flammability index). Blades are solid brass.
- Terminals:** Tempered brass, lug style, Perma-Lock™ design. Terminals visible through clear end cap.
- Terminal Identification:** Terminal screws are color coded. Ground wire entrance hot stamped green and marked "GR." Line wire entrance hot stamped black.
- Cord Clamp:** Internal. Accommodates 18/3 SJ through 12/3 S cable.
- Overall Design:** Two assembly and cord clamp screws. All screws are combination slot/cross head. Beveled housing. Dust seal at cord entry. Cable strip length gauge molded into plug body.
- Listings:** UL listed, File E57672
CSA certified, File LR81290

Dimensions:



Dimensions shown in inches