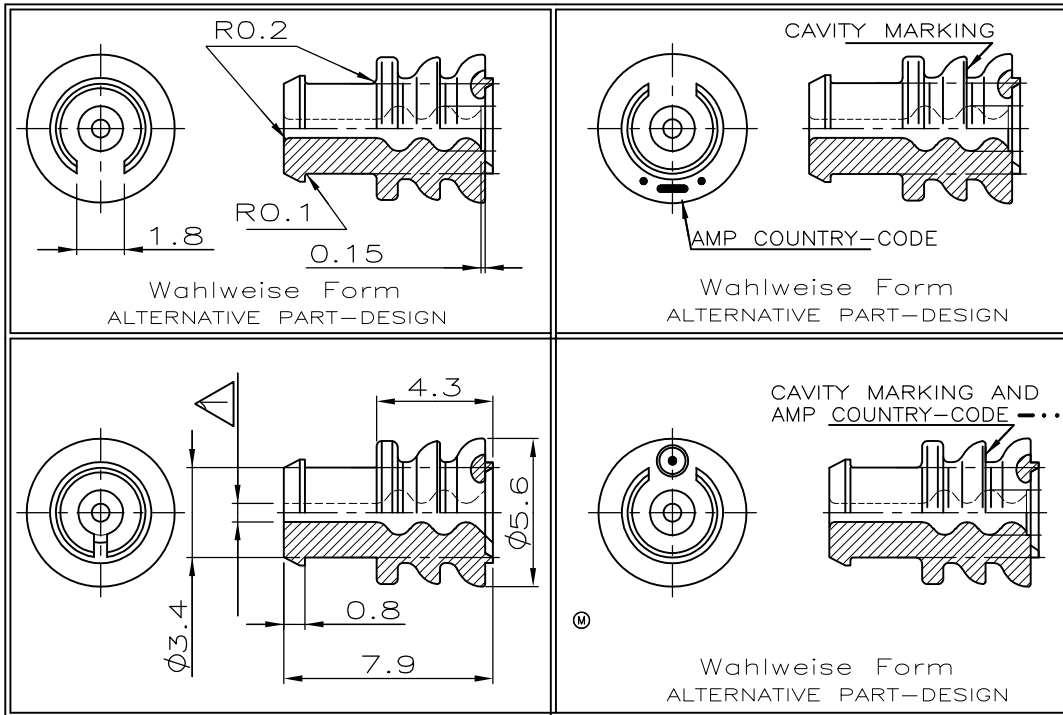


| | | | | | | | | |
|--|-----|------|-----------|-----|---------------------------|---------|-----|------|
| ANDERUNGEN, DIE DEM TECHNISCHEN FORTSCHRITT DIENEN, BEHALTEN WIR UNS VOR | LOC | DIST | REVISIONS | | | | | |
| | | | P | LTR | DESCRIPTION | DATE | DWN | APVD |
| NUMMER 828904 | | | M2 | | REVISED PER ECO-11-005150 | 21MAR11 | RK | HMR |
| VERWENDET FÜR | | | | | | | | |
| WAR NR. 87-9398-50 | | | | | | | | |

M1:1



- ④ Verpackt in Kunststoff-Beutel zu 5 000 Teilen
PACKAGING IN PLASTIC BAG: QTY 5 000 PIECES
- ③ Verpackt in Kunststoff-Beutel zu 10 000 Teilen
PACKAGING IN PLASTIC BAG: QTY 10 000 PIECES
- ② Verpackt in Kunststoff-Beutel zu 1 000 Teilen
PACKAGING IN PLASTIC BAG: QTY 1 000 PIECES
- ① Für Isolationsø 1.2-2.1 mm

| | | | | |
|-------------|-----|-----------|--------------------------------------|----------|
| 828904-3 | ④ | M | SILICON SHORE A 50* lubriziert | hellblau |
| 828904-2 | ③ | M | | |
| 828904-1 | ② | M | | |
| BESTELL-NR. | REV | WERKSTOFF | OBERFLÄCHE | |
| | | | FARBE | |

CAD-ORIGINAL
ZEICHNUNG NICHT ÄNDERN

ZEICHNUNG GÜLTIG AB

| | | | | | | | |
|--|------------------|------------|-----------|--------------------------|-----------|------------|---------------|
| DIMENSIONS: mm | DWN | H. Bouda | 16 MAY 88 | MATERIAL | - | FINISH | - |
| | CHK | W. PFEFFER | 17 MAY 88 | TE Connectivity | | | |
| TOLERANCES UNLESS OTHERWISE SPECIFIED: | APVD | - | - | | | | |
| 0 PLC ± - | PRODUCT SPEC | - | - | Einzeldichtung (DIA 5.6) | | | |
| 1 PLC ± 0.3 | APPLICATION SPEC | - | - | SIZE | CAGE CODE | DRAWING NO | RESTRICTED TO |
| 2 PLC ± - | WEIGHT | - | - | A4 | 00779 | C-828904 | - |
| 3 PLC ± - | | | | CUSTOMER DRAWING | | | |
| 4 PLC ± - | | | | SCALE | 5:1 | SHEET | 1 OF 1 |
| ANGLES ± - | | | | | | | REV M2 |

THIS DRAWING IS UNPUBLISHED. ALL RIGHTS RESERVED.