

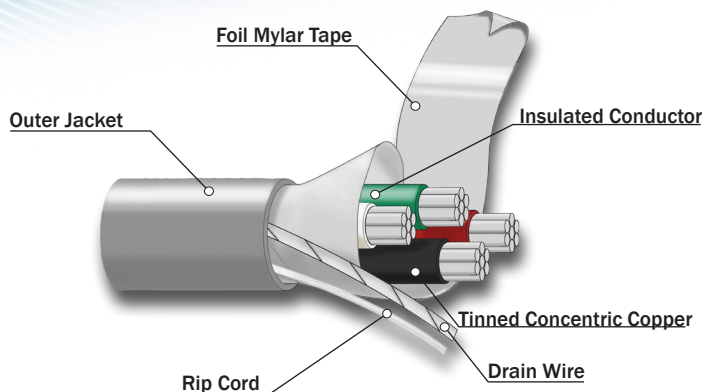
Plenum Cable

Shielded Multiconductor

SPECIFICATIONS

CSA C22.2 No. 214

CSA FT6 (Flame and Smoke Test)



CONSTRUCTION

Conductor: Stranded, tinned copper

Insulation: Polyvinyl Chloride (PVC)

Overall Shield: Aluminum mylar tape shield with drain wire

Outer Jacket: 60°C, flame resistant, low smoke Polyvinyl Chloride (PVC), Grey

Voltage: 300V

Options: Various colours for outer jackets

Product No.	Conductors				Insulation Thickness		Outer Jacket Thickness		Nominal Diameter		Cable Weight		Maximum Pulling Tension		Nominal Cap.	
	Number	AWG Size	Stranding	Drain	inches	mm	inches	mm	Outer Jacket		Lbs/mft	kg/km	lbs	kgs	dF/ft	
									inches	mm					A*	B**
83-013	2	24	7/32	24	0.008	0.20	0.015	0.38	0.121	3.07	8.5	12.68	7	3	35	68
83-TBA	3	24	7/32	24	0.008	0.20	0.015	0.38	0.127	3.23	10.48	15.63	11	5	29	55
83-TBA	4	24	7/32	24	0.008	0.20	0.015	0.38	0.138	3.51	12.59	18.78	14	7	29	55
83-TBA	5	24	7/32	24	0.008	0.20	0.015	0.38	0.15	3.81	14.74	21.98	18	8	29	55
83-TBA	6	24	7/32	24	0.008	0.20	0.015	0.38	0.162	4.11	16.89	25.19	22	10	29	55
83-TBA	7	24	7/32	24	0.008	0.20	0.015	0.38	0.162	4.11	18.68	27.86	25	11	29	55
83-TBA	8	24	7/32	24	0.008	0.20	0.015	0.38	0.175	4.45	20.85	31.09	29	13	29	55
83-TBA	9	24	7/32	24	0.008	0.20	0.015	0.38	0.187	4.75	23.16	34.54	32	15	29	55
83-043	10	24	7/32	24	0.008	0.20	0.015	0.38	0.2	5.08	25.3	37.73	36	16	29	55
83-009	2	22	7/30	24	0.008	0.20	0.015	0.38	0.133	3.38	12.08	18.01	11	5	45	87
83-023	3	22	7/30	24	0.008	0.20	0.015	0.38	0.14	3.56	15.21	22.68	17	8	35	68
83-012	4	22	7/30	24	0.008	0.20	0.015	0.38	0.152	3.86	18.48	27.56	22	10	35	68
83-005	5	22	7/30	24	0.008	0.20	0.015	0.38	0.166	4.22	21.79	32.49	28	13	35	68
83-018	6	22	7/30	24	0.008	0.20	0.015	0.38	0.18	4.57	24.11	35.95	34	15	35	68
83-025	7	22	7/30	24	0.008	0.20	0.015	0.38	0.18	4.57	28.01	41.77	39	18	35	68
83-TBA	8	22	7/30	24	0.008	0.20	0.015	0.38	0.194	4.93	31.49	46.96	45	20	35	68
83-024	9	22	7/30	24	0.008	0.20	0.015	0.38	0.209	5.31	34.83	51.94	50	23	35	68
83-016	10	22	7/30	24	0.008	0.20	0.015	0.38	0.223	5.66	38.31	57.13	56	25	35	68

*Method A: Capacitance from conductor to conductor.

**Method B: Capacitance from one conductor to all others connected to shield.

FOR MORE INFORMATION

150 North Murray St.
Trenton, Ontario
(800) 263 . 3322
www.decacables.com

 ECA CABLES

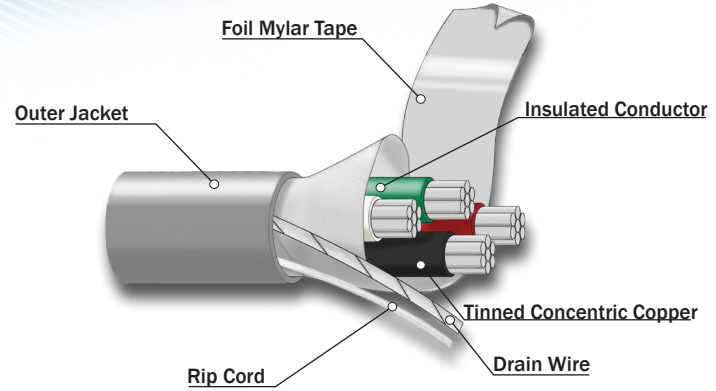
Plenum Cable

Shielded Multiconductor

SPECIFICATIONS

CSA C22.2 No. 214

CSA FT6 (Flame and Smoke Test)



CONSTRUCTION

Conductor: Stranded, tinned copper

Insulation: Polyvinyl Chloride (PVC)

Overall Shield: Aluminum mylar tape shield with drain wire

Outer Jacket: 60°C, flame resistant, low smoke Polyvinyl Chloride (PVC), Grey

Voltage: 300V

Options: Various colours for outer jackets

Product No.	Conductors				Insulation Thickness		Outer Jacket Thickness		Nominal Diameter		Cable Weight		Maximum Pulling Tension		Nominal Cap.	
	Number	AWG Size	Stranding	Drain	inches	mm	inches	mm	Outer Jacket		Lbs/mft	kg/km	lbs	kgs	dF/ft	
									inches	mm					A*	B**
83-026	2	20	7/28	22	0.008	0.20	0.015	0.38	0.151	3.84	14.85	22.15	18	8	49	95
83-TBA	3	20	7/28	22	0.008	0.20	0.015	0.38	0.16	4.06	19.12	28.51	27	12	37	72
83-TBA	4	20	7/28	22	0.008	0.20	0.015	0.38	0.174	4.42	23.57	35.15	36	16	37	72
83-TBA	5	20	7/28	22	0.008	0.20	0.015	0.38	0.19	4.83	28.2	42.05	44	20	37	72
83-TBA	6	20	7/28	22	0.008	0.20	0.015	0.38	0.207	5.26	32.72	48.79	53	24	37	72
83-TBA	7	20	7/28	22	0.008	0.20	0.015	0.38	0.207	5.26	36.73	54.77	62	28	37	72
83-TBA	8	20	7/28	22	0.008	0.20	0.015	0.38	0.224	5.69	41.4	61.74	71	32	37	72
83-TBA	9	20	7/28	22	0.008	0.20	0.015	0.38	0.242	6.15	46.21	68.91	80	36	37	72
83-TBA	10	20	7/28	22	0.008	0.20	0.015	0.38	0.26	6.60	50.91	75.92	89	40	37	72
83-011	2	18	7/26	20	0.008	0.20	0.015	0.38	0.18	4.57	21.6	32.21	18	8	55	105
83-002	3	18	7/26	20	0.008	0.20	0.015	0.38	0.181	4.60	28.56	42.59	27	12	40	78
83-008	4	18	7/26	20	0.008	0.20	0.015	0.38	0.198	5.03	35.87	53.49	36	16	40	78
83-003	5	18	7/26	20	0.008	0.20	0.015	0.38	0.216	5.49	43.1	64.27	44	20	40	78
83-017	6	18	7/26	20	0.008	0.20	0.015	0.38	0.237	6.02	50.76	75.70	53	24	40	78
83-031	7	18	7/26	20	0.008	0.20	0.015	0.38	0.237	6.02	57.42	85.63	62	28	40	78
83-004	8	18	7/26	20	0.008	0.20	0.015	0.38	0.257	6.53	64.7	96.49	71	32	40	78
83-040	9	18	7/26	20	0.008	0.20	0.015	0.38	0.277	7.04	72.13	107.57	80	36	40	78
83-TBA	10	18	7/26	20	0.008	0.20	0.015	0.38	0.298	7.57	79.57	118.66	89	40	40	78

*Method A: Capacitance from conductor to conductor.

**Method B: Capacitance from one conductor to all others connected to shield.

FOR MORE INFORMATION

150 North Murray St.
Trenton, Ontario
(800) 263 . 3322
www.decacables.com

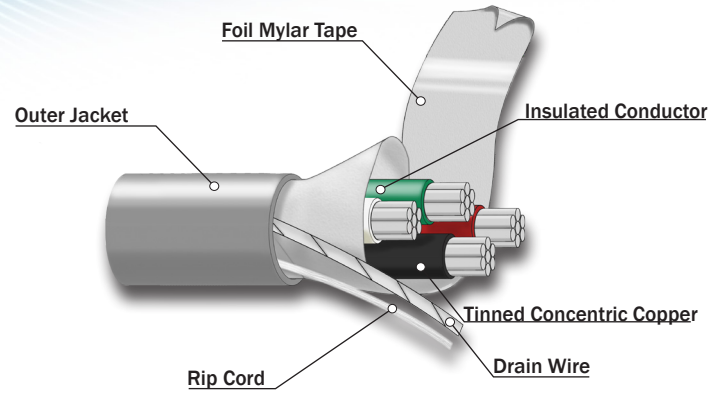
Plenum Cable

Shielded Multiconductor

SPECIFICATIONS

CSA C22.2 No. 214

CSA FT6 (Flame and Smoke Test)



CONSTRUCTION

Conductor: Stranded, tinned copper

Insulation: Polyvinyl Chloride (PVC)

Overall Shield: Aluminum mylar tape shield with drain wire

Outer Jacket: 60°C, flame resistant, low smoke Polyvinyl Chloride (PVC), Grey

Voltage: 300V

Options: Various colours for outer jackets

Product No.	Conductors				Insulation Thickness		Outer Jacket Thickness		Nominal Diameter		Cable Weight		Maximum Pulling Tension		Nominal Cap.	
	Number	AWG Size	Strand-ing	Drain	inches	mm	inches	mm	Outer Jacket		Lbs/mft	kg/km	lbs	kgs	dF/ft	
									inches	mm					A*	B**
83-020	2	16	19/29	18	0.012	0.30	0.015	0.38	0.201	5.11	31.01	46.24	42	19	55	105
83-035	3	16	19/29	18	0.012	0.30	0.015	0.38	0.222	5.64	41.33	61.63	62	28	40	78
83-TBA	4	16	19/29	18	0.012	0.30	0.015	0.38	0.245	6.22	52.07	77.65	83	38	40	78
83-TBA	5	16	19/29	18	0.012	0.30	0.015	0.38	0.27	6.86	62.76	93.59	104	47	40	78
83-TBA	6	16	19/29	18	0.012	0.30	0.015	0.38	0.295	7.49	73.49	109.59	125	57	40	78
83-TBA	7	16	19/29	18	0.012	0.30	0.015	0.38	0.295	7.49	83.28	124.19	146	66	40	78
83-TBA	8	16	19/29	18	0.012	0.30	0.015	0.38	0.321	8.15	93.88	140.00	166	76	40	78
83-TBA	9	16	19/29	18	0.012	0.30	0.015	0.38	0.347	8.81	104.63	156.03	187	85	40	78
83-TBA	10	16	19/29	18	0.012	0.30	0.015	0.38	0.374	9.50	115.39	172.08	208	94	40	78

*Method A: Capacitance from conductor to conductor.

**Method B: Capacitance from one conductor to all others connected to shield.

FOR MORE INFORMATION

150 North Murray St.
Trenton, Ontario
(800) 263 . 3322
www.decacables.com

 **ECA CABLES**