



## Heyco-Flex™ Liquid Tight Conduit Fittings

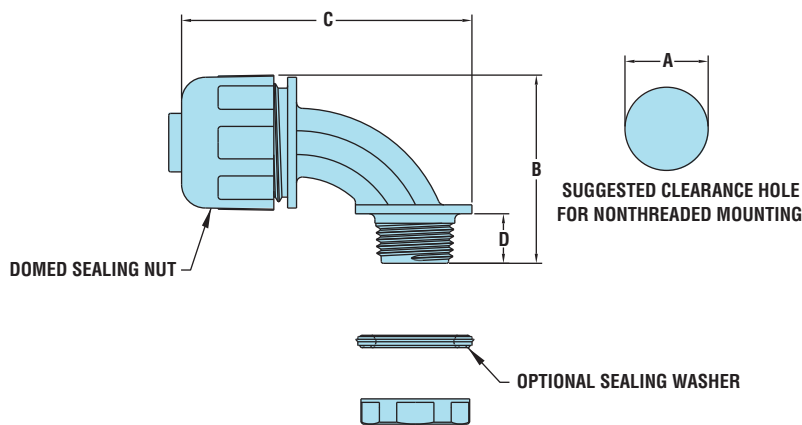
For Flexible, Nonmetallic Liquid Tight Heyco-Flex™ I Conduit and Heyco-Flex™ II Tubing  
90° Sweep, NPT Hubs



- Smooth internal surfaces for easier wire installation around corner angles.
- No disassembly required. Instead, the installer simply pushes the conduit or tubing onto the ferrule, then tightens the domed sealing nut. This completed assembly can then be secured in the panel by the locknut or into an NPT threaded hole.
- Convex ferrule ensures liquid tight seal.
- No threading of the conduit or tubing is required to install. This eliminates the possibility of cutting the conduit and creating leak paths.
- Complete conduit/connector system is reusable. Conduit will not wind tight onto the connector during assembly and can be easily removed by pulling while turning in a clockwise direction.
- Lower installed cost.
- Multiple sizes for use with Heyco-Flex Conduit and Tubing. See pages 2-1 and 2-2.
- Suitable for indoor/outdoor use; for original equipment manufacturers or field installers.
- Resist salt water, weak acids, gasoline, alcohol, oil, grease, and common solvents. (This feature is not assessed by UL certification and testing.)
- Use of a sealing washer may be required for wet locations. See pages 2-15.
- If using a tapped hole, Teflon® tape is needed on the threads of the connector, for all other applications an O-ring and Locknut are needed to attain liquid tight.
- Black connectors up to 1” provided with nylon locknut, packed separately. Larger than 1” provided with O-ring and metal locknut.
- Gray connectors provided with assembled O-ring and metal locknut.
- See pages 2-13 and 2-14 for locknuts.

FITS CONDUIT/TUBING TRADE SIZE	PART NO.		DESCRIPTION	THREAD SIZE	PART DIMENSIONS BODY AND SEALING UNIT							
	Black	Gray			A Clearance Hole		B Max. O.A. Height		C Max. O.A. Length		D Thread Length	
					in.	mm.	in.	mm.	in.	mm.	in.	mm.
3/8	8423	8424	HFC 3/8-90R	1/2 NPT	.875	22,2	1.98	50,3	2.91	73,9	.52	13,2
1/2	8425	8426	HFC 1/2-90R									
3/4	8427	8428	HFC 3/4-90R	3/4 NPT	1.109	28,1	2.29	58,2	3.17	80,5	.52	13,2
1	8412	8413	HFC 1-90R	1 NPT	1.375	34,9	2.83	71,9	3.96	100,6	.69	17,5
1-1/4	8652	8653	HFC 1-1/4-90R	1-1/4 NPT	1.734	44,0	4.10	104,1	4.73	104,1	.76	19,3
1-1/2	8654	8655	HFC 1-1/2-90R	1-1/2 NPT	1.984	50,4	4.75	120,7	5.20	132,1	.80	20,3
2	8656	8657	HFC 2-90R	2 NPT	2.469	62,7	5.42	137,7	5.80	147,3	.86	21,8

Standard colors black and gray.



Quick Specs

Material Certifications

Nylon 6/6  
 UL Listed under Underwriters' Laboratories File E28430  
 SP Certified by Canadian Standards Association File 84579 and 81067

Flammability Rating  
 Temperature Range  
 IP Rating

94V-2  
 -22°F (-30°C) to 221°F (105°C)  
 IP 68 up to 70 psi (5 bar) water pressure