

CAT. No.

85430-BLK

BRAZIL 20A 250V (BR3-20P) BLACK (COMBINATION STRAIGHT OR ANGLE PLUG), .500 DIA. CORD GRIP. 2 POLE 3 WIRE GROUNDING. NEW STANDARD= NBR14136-2002 (INMETRO APPROVED).

APPROVALS INMETRO

CERTIFICATIONS UC-OCP-0004

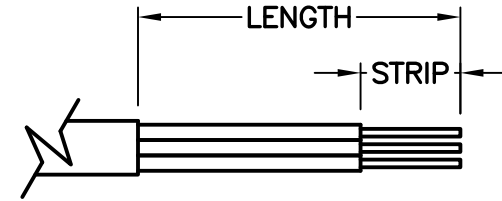
STANDARDS NBR 14136

ALL DIMENSIONS ARE IN MILLIMETERS

MAXIMUM JACKET O.D. ACCEPTED BY EXTERNAL STRAIN RELIEF = 12 DIA (0.500")
 MAXIMUM JACKET O.D. ACCEPTED BY INTERNAL STRAIN RELIEF = 12 DIA (0.500")
 MAXIMUM CONDUCTOR SIZE ACCEPTED BY TERMINALS = 4.0 mm² (12 AWG)

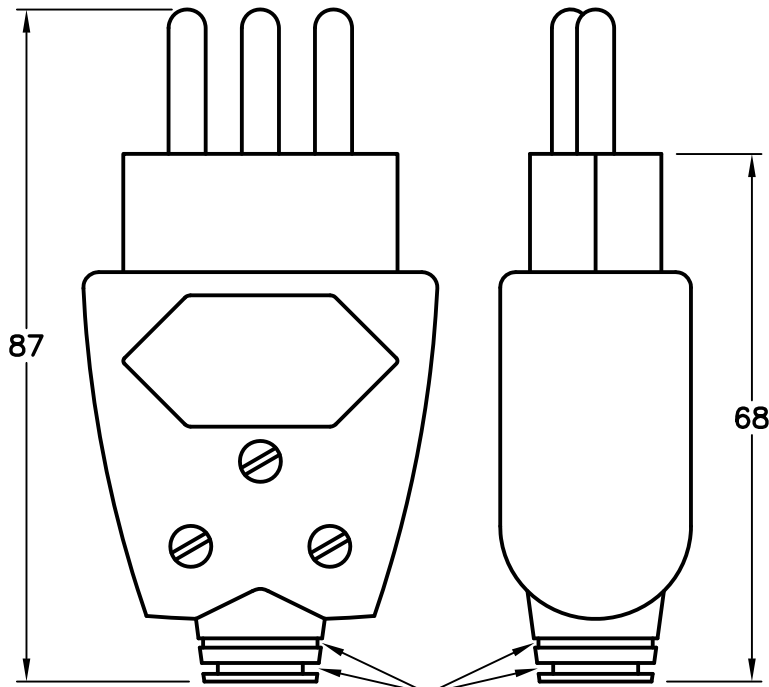
CORDAGE PREPARATION

CONDUCTOR INSULATION COLOR	CONDUCTOR COLOR CODE	"LENGTH"	"STRIP"
GREEN/YELLOW	GROUND	40	6
BLUE	NEUTRAL	40	6
BROWN	LINE	40	6



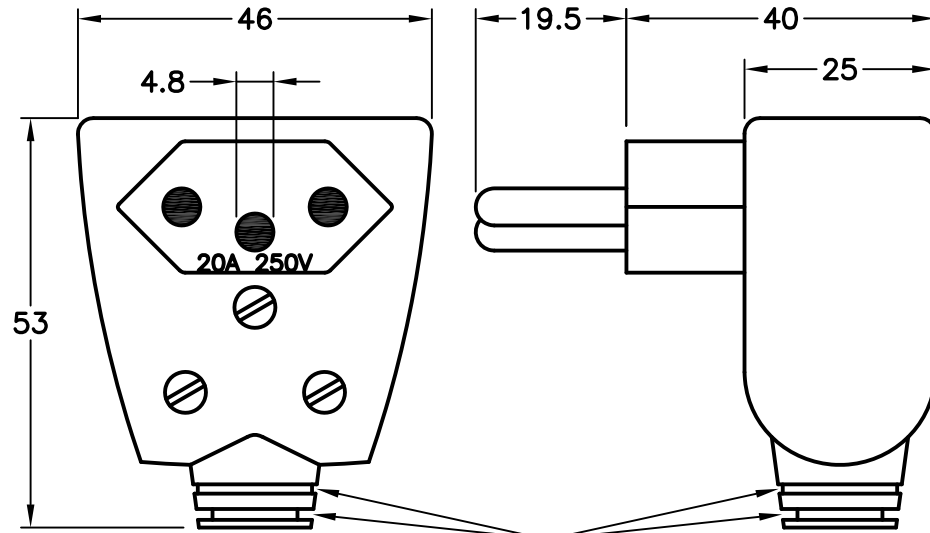
CORDAGE PREPARATION

STRAIGHT CONFIGURATION



TRIM OR CUT HERE FOR LARGER DIAMETER CABLES

ANGLED CONFIGURATION



TRIM OR CUT HERE FOR LARGER DIAMETER CABLES