

Luminaire disconnect connector; 2-pole

Item No.: 873-902



Luminaire disconnect connector; 2-pole

Marking

RoHS ✓
Compliant

Business data

Supplier	WAGO
Item no.	873-902
GTIN / EAN	4045454548421
Content	1
Order amount	40
Customer item number	

Notes

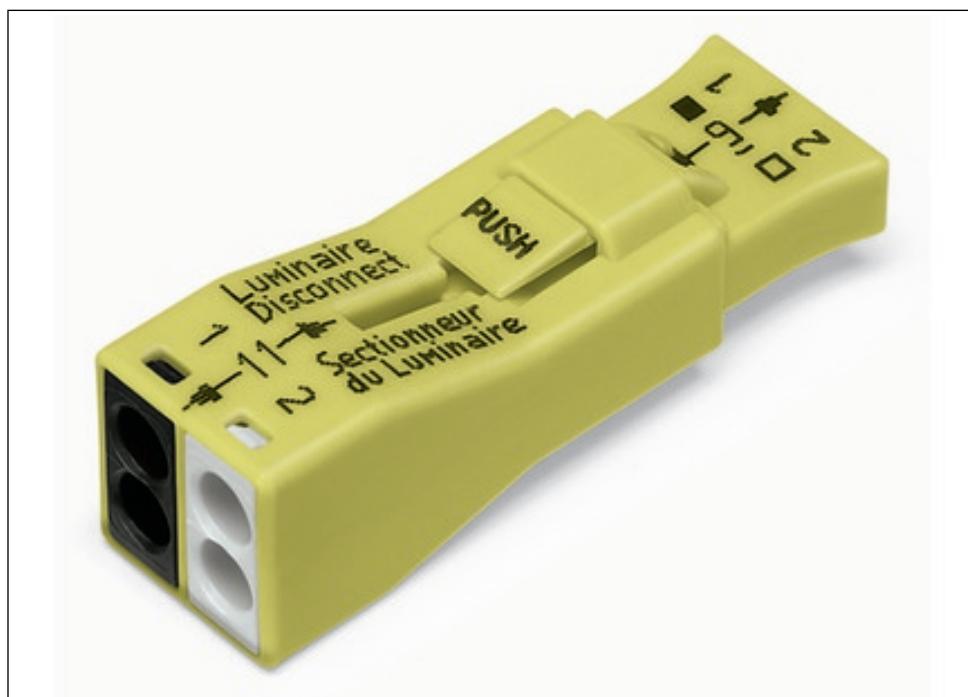
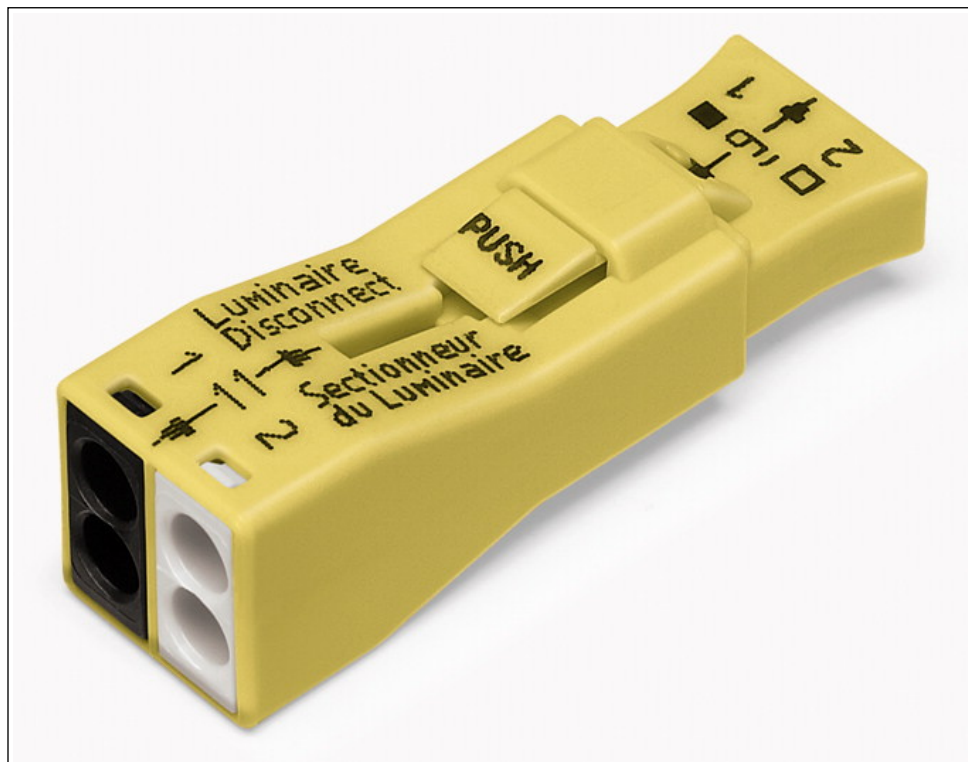
Technical data

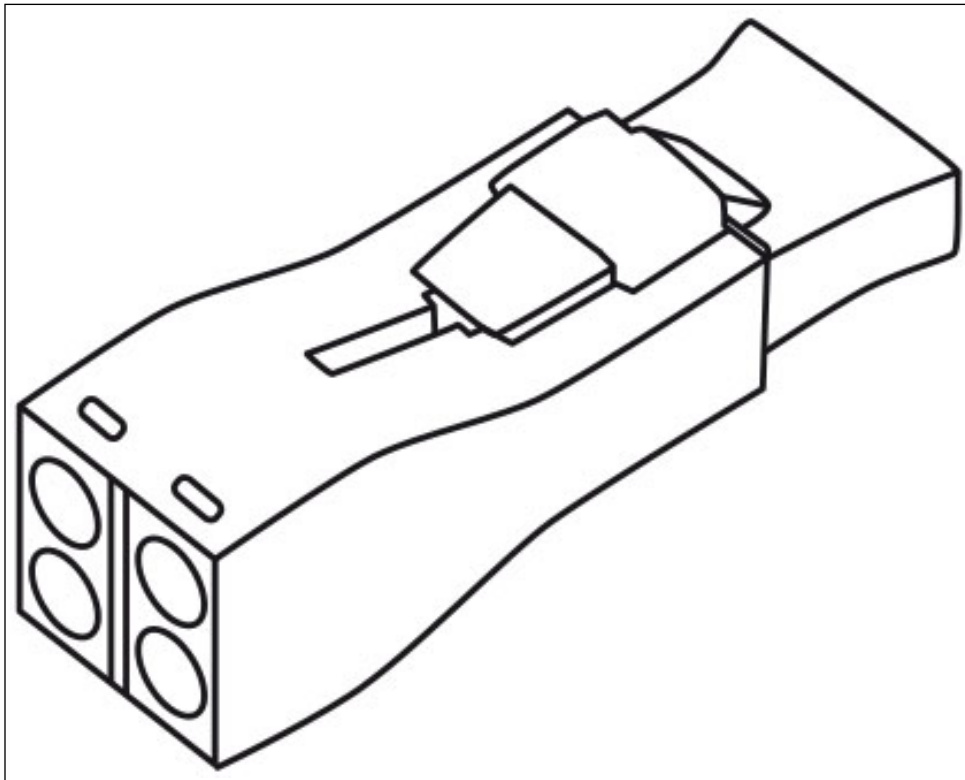
Miscellaneous

No. of poles	2
Total number of connection points	4
Total number of potentials	2
Color	yellow
Ratings according to 1	EN 60998
Ratings according to 2	EN 61984
Connection technology (1)	PUSH WIRE®
stranded, connectable 1	male part 1.5 ... 4 mm ² / 16 ... 12 AWG
Strip length 1	11 ... 13 mm / 0.43 ... 0.51 in
Strip length 2	9 ... 11 mm / 0.35 ... 0.43 in

Technical data	
<i>solid, connectable 3</i>	<i>0.75 ... 4 mm² / 18 ... 12 AWG</i>
<i>Fire load [MJ]</i>	<i>0.103 [MJ]</i>
<i>Weight [g]</i>	<i>4.763 [g]</i>
<i>Width</i>	<i>13 mm / 0.512 in</i>
<i>Height</i>	<i>13.2 mm / 0.52 in</i>
<i>Length</i>	<i>42 mm / 1.654 in</i>

Images & drawings





Address

WAGO Kontakttechnik GmbH & Co. KG

Hansastr. 27

32423 Minden

Telefon: 0571/887-0

Fax: 0571/887-169

<http://www.wago.com>

© WAGO Kontakttechnik GmbH & Co. KG

Technische Änderungen und Irrtümer vorbehalten.