



## Heyco® Turn-2-Lock Cordset Contacts

For Finished, Custom Turn-2-Lock Cord and Plug Sets, see section 9  
**20 Amp**

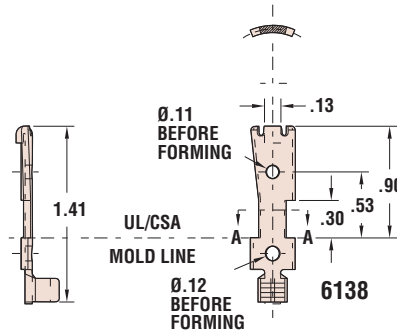
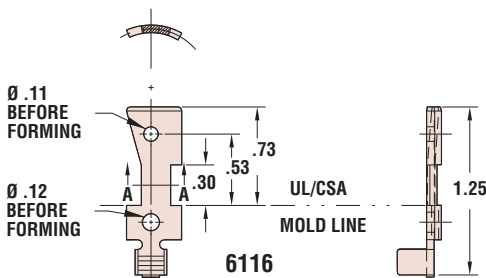
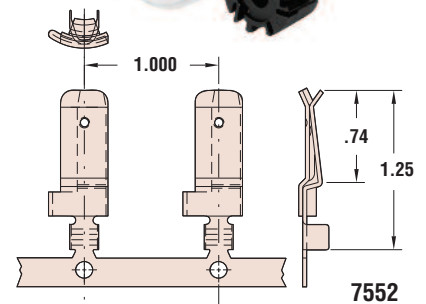
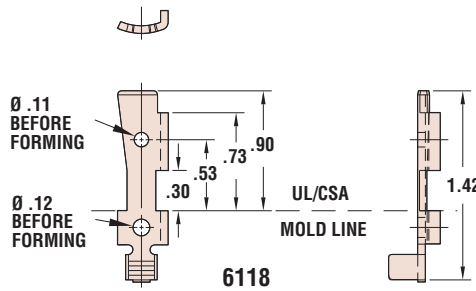
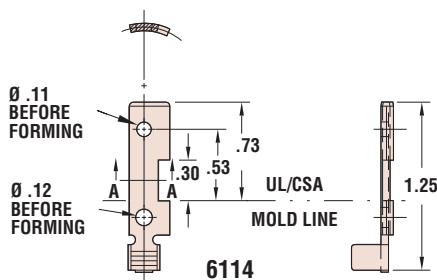
Type	PART DATA		PART NO.	APPLICATION TOOLING*				
	AWG Range	Material		Die**	Feeds	Tool Packs	Crimp Punch	Anvil
<b>Male - for snap together</b> Male Nylon Premold Bridges see page 8-20								
TL-L5-20-B	18-14	Brass	<b>6156</b>	6156UXX5	Bulk	B958/B959	C663	C667
TL-L5-20-W	18-14	Brass	<b>6154</b>	6154UXX5				
TL-L20-G	18-14	Brass	<b>6158</b>	6158UXX5				
TL-L5-20-W†	16-10	Brass	<b>6114</b>	6114UXX5				
		Tin-PI	<b>6115</b>	6115UXX5				
TL-L5-20-B†	16-10	Brass	<b>6116</b>	6116UXX5				
		Tin-PI	<b>6117</b>	6117UXX5				
TL-L5-20-G	16-10	Brass	<b>6118</b>	6118UXX5				
		Tin-PI	<b>6119</b>	6119UXX5				
TL-L7-20-G	18-14	Brass	<b>6162</b>	6162UXX5				
		Brass	<b>6132</b>	6132UXX5				
TL-L24-20-G	18-14	Brass	<b>6168</b>	6168UXX5				
		Brass	<b>6138</b>	6138UXX5				
<b>Female - for snap together</b> Female Nylon Premold Shells see page 8-20								
TLR-L5-20	16-10	Brass	<b>7552</b>	7552UXX5	Left to Right	B972L/B973	C784	C783

\* Use the Heyco Universal Applicator Die (indicated by “U” in the Die Part No.), page 8-59.

\*\* “XX” represents Wire Gauge. Please specify Wire Gauge when ordering.

† Can be used for L7 and L24 configurations.

- **Easy loading for increased molding efficiency.**
- Use inexpensive Heyco load pins (consult Heyco for details on our complete line of blades and pins).
- **Reduce PVC usage** and allow more cavities per mold.
- All Ground blades feature 90° leg for **twist-locking mechanism.**
- .056” gauge material, cut-out shapes and radius are all UL Specified.
- DFARS Compliant



**Materials**

Alloy 260 Brass (70% Cu, 30% Zn. Higher Cu content resists dezincification)  
 Tin-PI = Brass, Tin plated before or after stamping  
 6/6 Nylon

*Quick Specs*