

“Stay Connected” with



Power Components

a PennEngineering® Company



Heyco® Turn-2-Lock Cordset Contacts

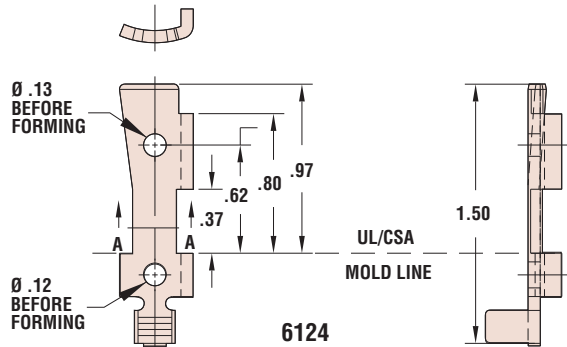
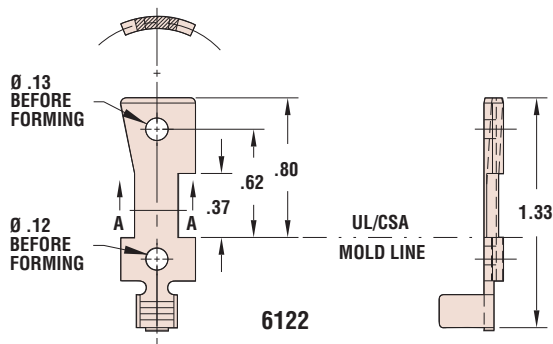
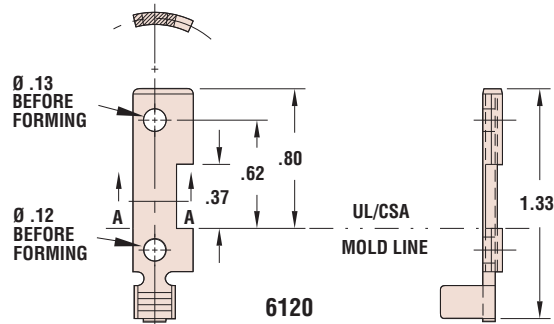
For Finished, Custom Turn-2-Lock Cord and Plug Sets, see Section 9

30 Amp

Type	PART DATA		PART NO.	APPLICATION TOOLING*				
	AWG Range	Material		Die**	Feeds	Tool Packs	Crimp Punch	Anvil
Male - for Male Nylon Premold Bridges see page 8-20								
TL-L5-30-W	10-8	Brass	6120	6120UXX5				
TL-L5-30-B	10-8	Brass	6122	6122UXX5	Bulk	B958/B959	C663	C667
TL-L5-30-G	10-8	Brass	6124	6124UXX5				

* Use the Heyco Universal Applicator Die (indicated by “U” in the Die Part No.), page 8-59.
 ** “XX” represents Wire Gauge. Please specify Wire Gauge when ordering.

- .068" gauge material, cut-out shapes and radius are all UL Specified.
- DFARS Compliant



Quick Specs

Materials Alloy 260 Brass (70% Cu, 30% Zn. Higher Cu content resists dezincification)
 6/6 Nylon

Certifications Listed under UL File E217650 for use with Cordsets under UL 817 applications (Cordset Components only)