



Heyco® Preassembled Cordset Components

For Heyco Application Equipment, see pages 8-59 and 8-60

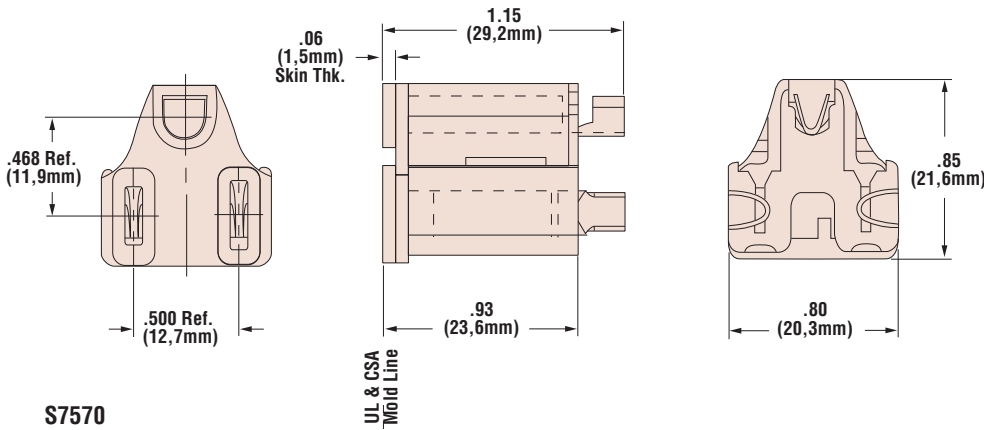
Female Bridge—NEMA 5-15R

Type	PART DATA		PART NO.	APPLICATION TOOLING*			
	Color	AWG Range		Die	Feeds	Crimp Punch	Anvil
5-15R Female Bridge	Black	18-12	S7570	Z370	Semi-Auto*	Z335, Z409	Z334
	Natural	18-12	S7571				
	Clear	18-12	S7574**				
5-15R Female Bridge	Black	12-10	S7572	Z641	Semi-Auto*	Z636, Z637	Z635
	Natural	12-10	S7573				
	Clear	12-10	S7575**				

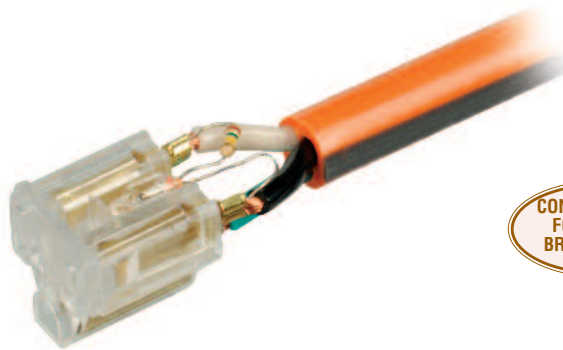
* Semi-Automatic Terminating Equipment is available, see below and page 8-60.

**Clear bridges are not UL recognized.

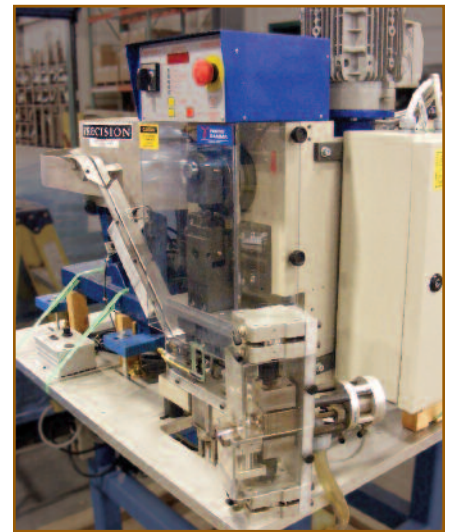
- Crimp all three terminals at once.
- Faster loading of plug molds.
- **Reduce plug molding and cycle time.**
- Assure reliable contact performance.
- Improve plug quality.
- **Reduce PVC usage and plug cost!**
- Eliminate the need for a polarity barrier.
- Pass UL/CSA cold temperature insertion test.
- Automated terminating equipment is available, see page 8-60.
- DFARS Compliant



S7570



CONSULT HEYCO FOR FEMALE BRIDGES WITH LIGHT



Heyco Female Bridge Machine (see page 8-60)

Materials	Alloy 260 Brass (70% Cu, 30% Zn. Higher Cu content resists dezincification) Black and Natural - 6/6 Nylon, Clear - Polycarbonate
Certifications	Recognized Component under UL File E231361
Standards	NEMA 5-15R

Quick Specs