

Heyco® Preassembled Cordset Components

For Heyco Application Equipment, see pages 8-59 and 8-60

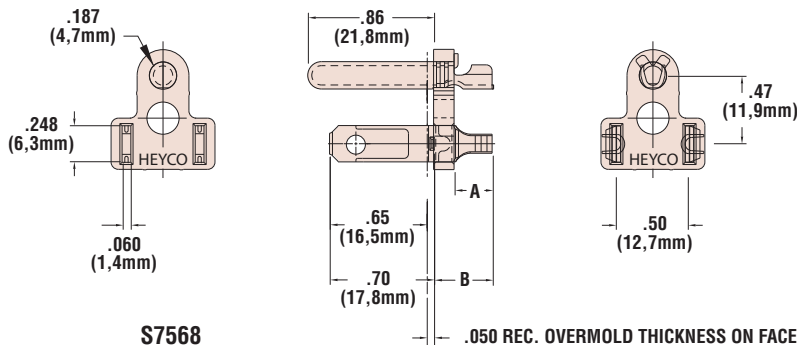
Male Padded Bridge–NEMA 5-15P



PART DATA	Color	AWG Range	PART NO.	APPLICATION TOOLING*				CRIMP DIMENSIONS	
				Die	Feeds	Crimp Punch	Anvil	A in.	B in.
5-15P Male Padded Bridge	Black	18-14	S7568	Z294	Semi-Auto*	Z318, Z291	Z290	.26	.40
	Natural	18-14	S7569						
	Clear	18-14	S7582						
5-15P Male Padded Bridge Tinned	Black	18-14	S7586	Z294	Semi-Auto*	Z318, Z291	Z290	.26	.40
	Natural	18-14	S7588						
	Clear	18-14	S7587						

*Semi-Automatic Terminating Equipment is available, see page 8-60.

- Heyco Padded Blades are **far less expensive** than their Full Thickness counterparts (pages 8-31 thru 8-34), yet they are functionally equivalent.
- Thinner gauge material lowers cost, yet full pad configuration meets UL power cord requirements, including **UL 1659**.
- Heyco Padded Blades utilize less brass but retain all of the strength of our Full Thickness Blades, at a **lower cost**.
- Our Padded Bridge design **accommodates existing overmolds** designed for Padded Blades.
- Automated terminating equipment is available, see page 8-60.
- See page 8-60 for wire stripper information.
- DFARS Compliant



S7568

Materials	Alloy 260 Brass (70% Cu, 30% Zn. Higher Cu content resists dezincification) Nylon 6/6
Certifications	Recognized Component under UL File E164169 (Component Blades only) Certified by the Canadian Standards Association File 91824
Standards	NEMA 5-15P

Quick Specs