

## Heyco® Business Machine Male Contacts

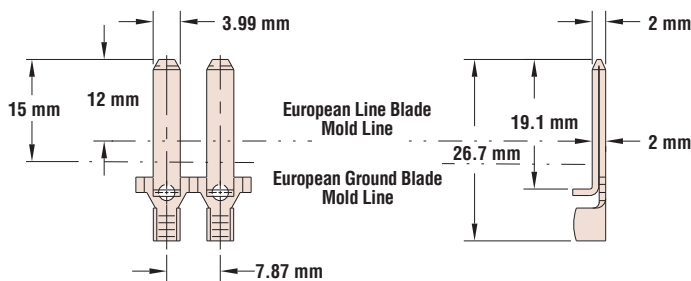
European Style, Folded Design - IEC-320 - C14 Male - 250V, 10 Amps

Type	PART DATA			PART NO.	APPLICATION TOOLING*				
	Euro Mold Line mm.	AWG Range	Material		Die**	Feeds	Tool Packs	Crimp Punch	Anvil
Strain Relief Leg	12/15	18-14	Tin-Pl	5759	5759UXX5	Left to Right	B104L/B105L	C296	C304
				5760	5760UXX5	Right to Left	B104R/B105R		
Flat	12/15	18-14	Tin-Pl	8151	8151UXX5	Left to Right	B104L/B105L	C296	C304
			Post-Ni	8153	8153UXX5				
			Tin-Pl	8150	8150UXX5	Right to Left	B104R/B105R		
Flat w/ Disc Tab	12/15	18-14	Tin-Pl	8156	-	Bulk	-	-	-
<b>Length</b>									
Solder	23,9	-	Brass	5770	-	Bulk	-	-	-
	26,9	-	Brass	5771	-				

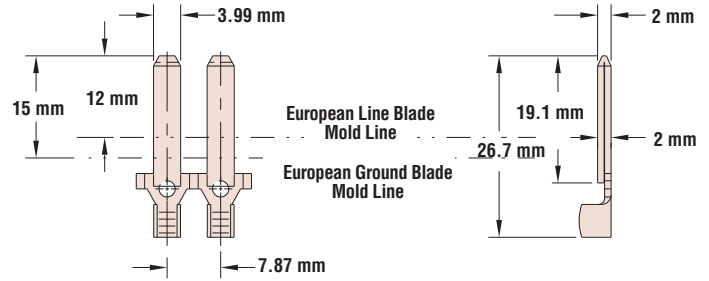
- IEC 60320 compatible.
- For Heyco's IEC-14 Plug, see page 6-42
- DFARS Compliant

\* Use the Heyco Universal Applicator Die (indicated by "U" in the Die Part No.), page 8-59.

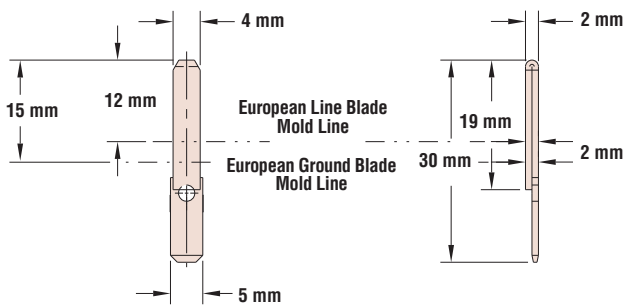
\*\* "XX" represents Wire Gauge. Please specify Wire Gauge when ordering.



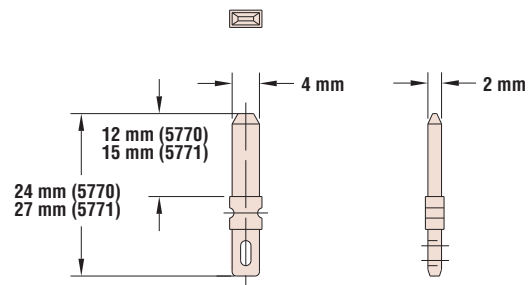
Strain Relief Leg



Flat



Flat with Disc Tab



Solder

**Materials**

Alloy 260 Brass (70% Cu, 30% Zn. Higher Cu content resists dezincification)  
 Tin-Pl = Brass, Tin plated before or after stamping  
 Post-Ni = Brass, Nickel plated after stamping

*Quick Specs*