

“Stay Connected” with



Power Components

a PennEngineering® Company



Heyco® PCB Contacts

PCB Blade, Pins, and Female Connectors

Type	PART DATA				Material	PART NO.		FEEDS
	Dimensions		For Maximum PCB Thickness			Non-polarized	Polarized	
	in.	mm.	in.	mm.				
Blades								
Length								
Snap-thru	.847	21,5	.047	1,2	Brass	5200	5201	Bulk
	1.030	26,1	.078	2,0	Brass	8179	—	
Pins*								
Diameter								
Snap-Thru	.187	4,7	.047	1,2	Brass	5940	—	Bulk
Solder	.187	4,7	.047	1,2	Brass	5907	—	Bulk
Right Angle	.125	3,2	.047	1,2	Tin-Pl	8050	—	Bulk
Female								
Length								
Female	1.080	27,4	Rivet Mount†		Brass	7347	—	Bulk
1155-90 Female**								
Wiping Contact 90°	.790	20,6	.047	1,2	Brass	7261	—	Bulk

NEW!

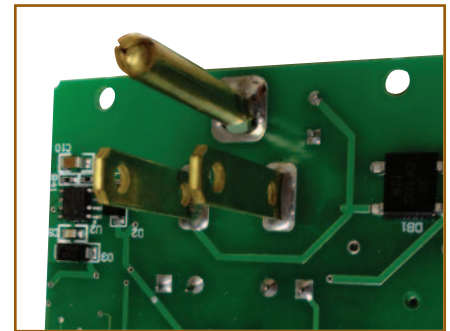
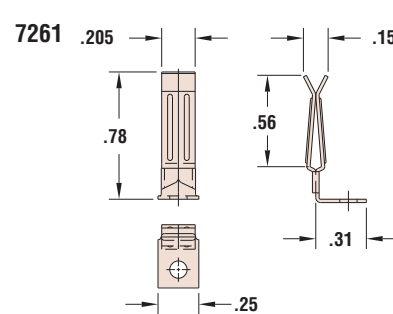
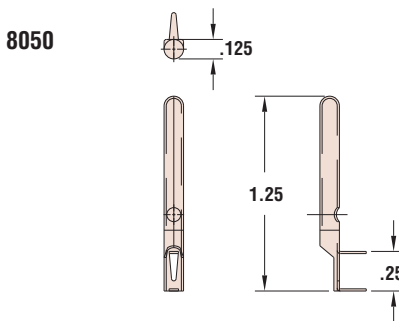
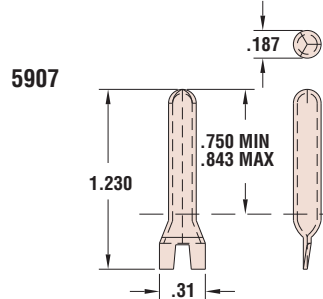
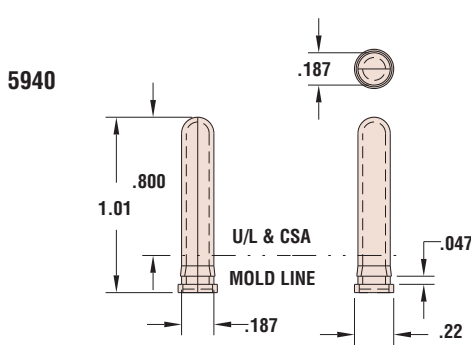
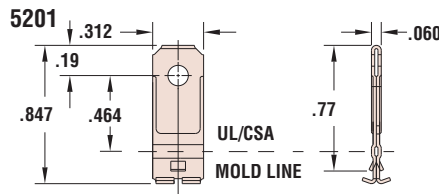
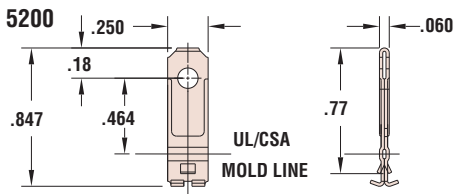
NEW!

- Designed for printed circuit board applications when **connection to AC power is required**.
- Can be used for either NEMA 1-15 or 5-15 applications.
- **Part Nos. 5200 and 5201** are full wide designed for added support when attached to the printed circuit board.
- For our complete line of stamped Power Components, see Section 8.
- For our complete line of Nylon PCB Supports, see section 7.
- DFARS Compliant

*For additional Heyco Specialty Pins, see page 8-42.

**For additional Heyco Female Cord Connectors, see page 8-50.

† .160" (4,1 mm) mounting hole.



Materials

Alloy 260 Brass (70% Cu, 30% Zn)
Tin-Pl = Brass, Tin plated before or after stamping

*Quick
Specs*