

Heyco® .187" Diameter Ground Pins – Male Right Angle

90° crimp section designed for Right Angle Plugs

See pages 8-29 thru 8-34 for Heyco Padded and Full Thickness Blades



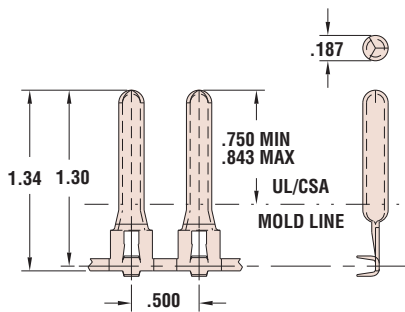
Overall Length in.	PART DATA		PART NO.	APPLICATION TOOLING*				
	AWG Range	Material		Die**	Feeds	Tool Packs	Crimp Punch	Anvil
187 Series								
1.34	20-18	Brass Tin-Pl	5913 5915	5913SXX5 5915SXX5	Rear Rear, L-R	-	0J48	0J49
	16-12	Brass Tin-Pl	5900 5901	-	Rear	-	088A	097A
Solid U Shape								
.82	18-16	Brass	8013	-	Bulk			

Male Right Angle Pins - 187 Series

- Feature .187" (4,7 mm) Pin diameter.
- Parts differentiate by **flag type crimp** size and thus accommodate AWG 20-18 conductors and AWG 16-12 conductors.
- DFARS Compliant

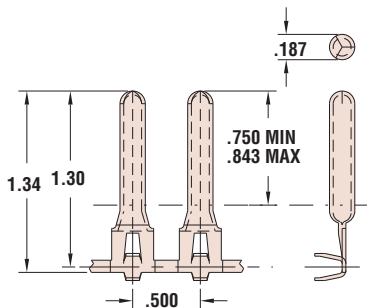
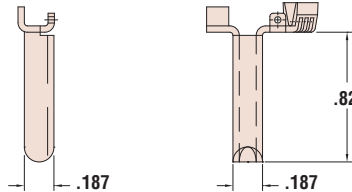
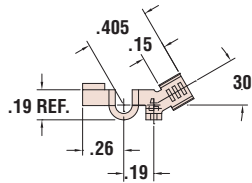
Male Right Angle Pin - Solid U Shape

- Feature .187" (4,7 mm) Pin diameter.
- Shorter part, accommodates 18-16 AWG conductors.
- Available in bulk form only.
- DFARS Compliant



187 Series 20-18 AWG

8013



187 Series 16-12 AWG

Materials

Alloy 260 Brass (70% Cu, 30% Zn. Higher Cu content resists dezincification)
Tin-Pl = Brass, Tin plated before or after stamping

*Quick
Specs*