

“Stay Connected” with



Power Components

a PennEngineering® Company

Heyco® Male/Female Combination Terminals – 27 Gauge

Full Thickness Combination Blades - .058" Mold Line Thickness

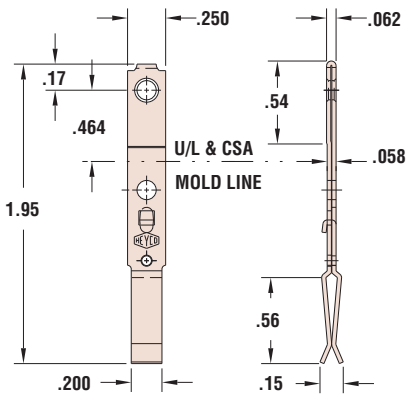
For Heyco’s complete line of Full Thickness Blades, see pages 8-31 thru 8-34.



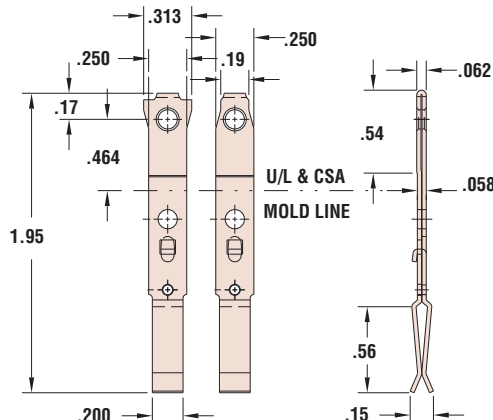
Overall Length in.	PART DATA			PART NO.		Feeds
	Type	Width in.	Material	Non-polarized	Polarized	
1191 Series - 7-Shape						
1.95	Blade	.250	Brass	6363	-	Bulk
	Blade	.313	Brass	-	6364†	
	Neutral	.250	Brass	-	6365†	

† Parts must be purchased together in equal quantities.

- Double spring form construction.
- Long length suitable for use in serial plugs.
- Female end is a wiping contact.
- 1.95" (49,5 mm) overall length.
- 7-Shape Blades feature a retention ledge to maintain position during overmolding (mold stop).
- Available in bulk only.
- DFARS Compliant



6363



6364 & 6365 (must be purchased together)

Material Alloy 260 Brass (70% Cu, 30% Zn. Higher Cu content resists dezincification)
 Certifications Recognized Component under UL File E164169

Quick Specs