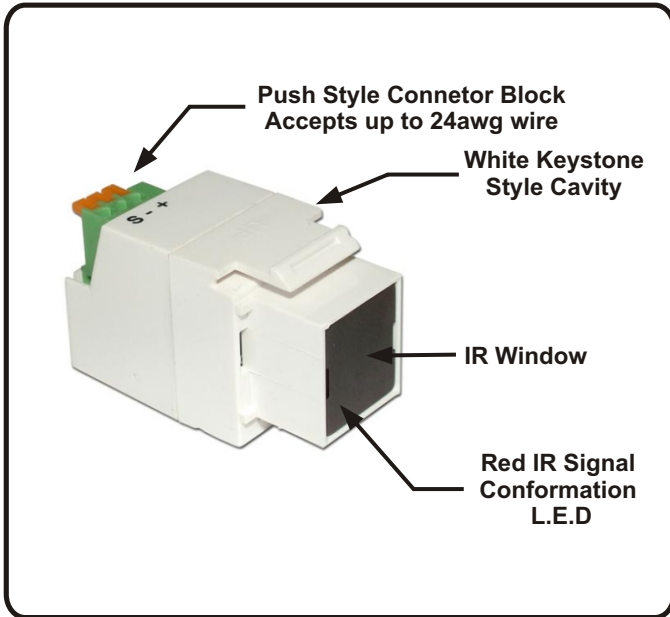


.....[®]
CALRAD
ELECTRONICS

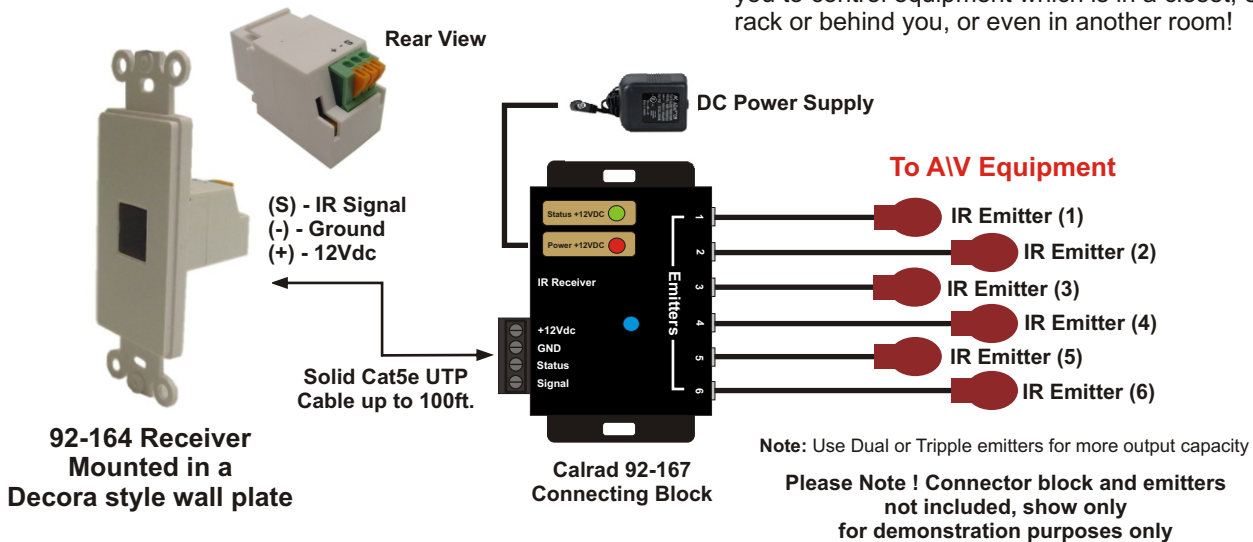
819 N. Highland Ave.
 Los Angeles, CA 90038

Tel (323) 465-2131, Fax (323) 465-3504
 Visit us on the web at www.calrad.com

New Part No. **92-164**
Keystone
IR Receiver



Calrads 92-164 IR receiver snaps into a Keystone-style wall plate and receives IR signals from a handheld remote control. The transmission media is Cat5/Cat5e cable, the IR receiver snaps into a decora-style wall plate and receives IR signals from a handheld remote control. Point the handheld remote at the 92-164 IR target window so that the target has a straight view to receive the signal. The distance between the IR receiver and the remote control should not exceed 8 meters. It's small size makes it perfect for all types of different style IR repeating installations. The Receiver is used with a remote control extender / repeater system. The 92-164 accepts signals from your infrared remote control and relays the signal over solid UTP Cat5e, Cat6 cable that connects to Calrads 92-167 Connecting Block, which in turn the signal is redistributed to single or multiple style IR emitters that will send the signal to your AV equipment. This setup allows you to control equipment which is in a closet, equipment rack or behind you, or even in another room!



Specifications:

- Wide-band Infrared demodulator — accepts commands from most remotes
- Reception Range — IR reception up to 25 feet, line of sight
- Receive Frequency: 36kHz to 47kHz
- Transmit Frequency: 36kHz and 47Hz
- Off-axis reception — up to 20 degrees
- Automatic Gain Control (AGC) — significantly reduces interference problems for reliable performance
- Low profile — keystone design, fits in single keystone style or decora style wall plates
- Red signal LED provides clear visible confirmation that indicates reception of IR signals
- Universal application — 12VDC power input and IR output signal are compatible with most IR connecting blocks
- Reliable circuit design — Calrad's own micro-controller-based IR circuit
- Dimensions: .75"W x .9"H x 1.52"D
- Power: 12VDC 30mA max.
- Termination: Locking 3 terminal push style connector block, (Accepts up to 24awg wire)
- Color: White