



Professional Solutions - Unrivalled Value

Articulating arms hold screen 3.8" from wall and extend up to 15.5" for variable viewing angles. Smooth tilt adjustments of 15° forward and 5° back with a locking knob for a variety of viewing angles. 6° side to side roll for perfect screen positioning. Makes a secure installation quick and easy, simply hang the screen and turn the pre-assembled securing screws to lock in place. Integrated cable management for clean look.

37"-63" / 94cm-160cm

130 LB / 59 KG

■ **Universal Design / Vesa Compatible**
Fits any hole pattern up to 723x501mm (28.5"x19.8").

■ **Extendable**
Extends from 3.8" to 15.5".

■ **Screen Size**
Fits most 37" to 63" flat panel screens weighing up to 130lb (59kg).

■ **Roll Adjustment**
6° side to side roll feature (without tools).

■ **Easy Installation**
Pre-assembled securing screws makes installation fast and easy.

■ **Cable Management**
Integrated cable management for clean look.

■ **Included Hardware**
Pre-sorted hardware pack for easy component selection and installation (hardware for installation to wood studs or concrete surfaces included).

Functional Specifications

Depth from wall: 3.8" (96mm)
Swivel: 41° (Max)
Tilt: +15°/-5°
Roll: 6°

Mounting Surfaces: Wood studs, concrete & cinder block (with included hardware).

Max Mounting Pattern:
723mm (28.5") width
501mm (19.8") height

Load Capacity: 130 LB / 59 KG
Warranty: Limited 10 Years

Universal Design
Fits any hole pattern up to 723x501mm (28.5"x19.8"). Max VESA hole pattern 700x500mm.

Full Range of Motion
3 pivot joints for variable viewing angles.

Tilt
15° forward and 5° back tilt for optimal viewing angles.

Pre-Installed Security Screws
Easy hook and secure installation and pre-assembled securing screw makes installation fast and easy.

Lateral Adjustment
Lateral adjustment functionality for positioning TV in the right spot on the wall.

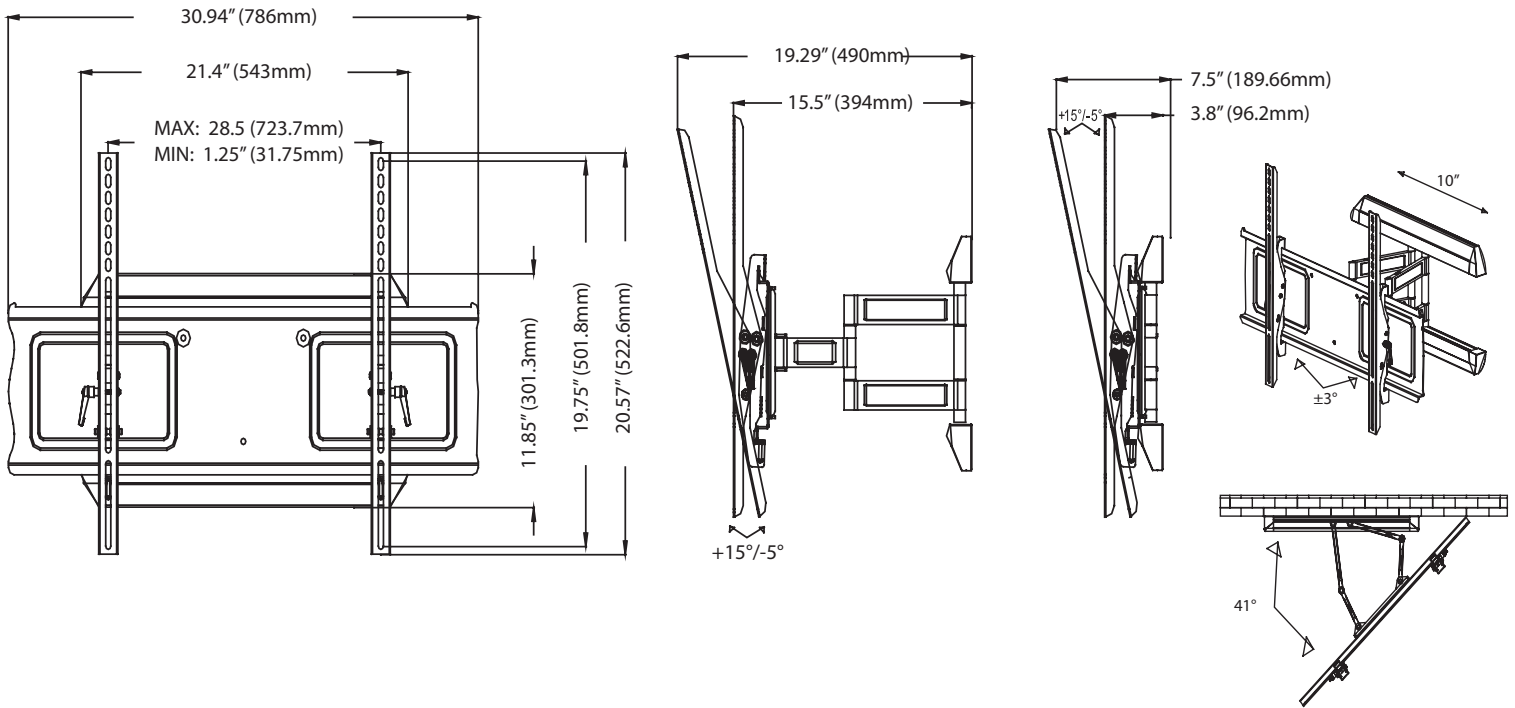
Mounting Hardware
Complete set of screen mounting hardware, labeled for ease of use and ready to go.



Full Motion Articulating Wall Mount

For 37" to 63" (94-160cm) LCD, LED and Plasma TV's

A63F (BLACK)

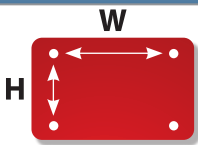


Product Specifications

Package Specifications

PRODUCT WEIGHT	LOAD CAPACITY	COLORS	FINISH	PACKAGE SIZE (WxHxD)	SHIP WEIGHT	UPC CODE	PACKAGE CONTENTS
21.8lb (9.9kg)	130lb (59kg)	Black	Scratch resistant powder coating	32.1" x 14.2" x 5.5" (815 x 361 x 140 mm)	26.6lb (12.1kg)	A63F (Black) 0815885010477	Mount, wall and screen mounting hardware, product manual.

Mounting Interface



	Universal		VESA										
	Min	Max	W 75mm	100mm	200mm	200mm	300mm	300mm	400mm	400mm	400mm	600mm	600mm
W	31mm	723mm	X	X	X	X	X	X	X	X	X	X	X
H	31mm	501mm	75mm	100mm	100mm	200mm	200mm	300mm	200mm	300mm	400mm	200mm	400mm

Accessories

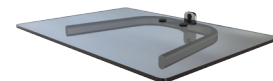
On-wall Cable Management



- WA1 - 1 Shelf
- WA2 - 2 Shelves
- WA3 - 3 Shelves

Component shelf and on-wall cable routing system. Hides cables inside internal channels for a clean look.

Shelving



- WF1 - 1 Shelf

Single-stud mountable component shelf.

Visit crimsonav.com to see the full line of vidamounts LCD/plasma, projector and TV/monitor mounts. © 2010 Crimson AV LLC. All rights reserved.