

Hinged fittings

External hinged joiner



External Hinged Joiner

External Hinged Joiner

One-piece joiner and elbow hinged fittings allow a variety of conduit size variations. These fittings are designed to snap together over all types of slit and unslit conduit, maintaining maximum conduit bore. Can be used as an in-line reducer as well as an enlarger.

Part No.	Conduit Size (NC)		Conduit Size (NW)		Nominal Dimensions				
	A	B	A	B	C	D	E	F	
JPS1208	12	08	10	7.5	38mm	16mm	10mm	10mm	
JPS1212	12	12	10	10	36mm	16mm	10mm	10mm	
JPS1612	16	12	13	10	36mm	21mm	10mm	10mm	
JPS1616	16	16	13	13	36mm	21mm	10mm	10mm	
JPS2008	20	08	17	7.5	38mm	26mm	12mm	10mm	
JPS2012	20	12	17	10	38mm	26mm	12mm	10mm	
JPS2016	20	16	17	13	38mm	26mm	12mm	10mm	
JPS2020	20	20	17	17	38mm	26mm	12mm	12mm	
JPS2520	25	20	22	17	39mm	33mm	12mm	12mm	
JPS2525	25	25	22	22	39mm	33mm	13mm	13mm	
JPS2820	28	20	23	17	39mm	33mm	13mm	13mm	
JPS2825	28	25	23	22	39mm	33mm	13mm	13mm	
JPS2828	28	28	23	23	39mm	33mm	13mm	13mm	

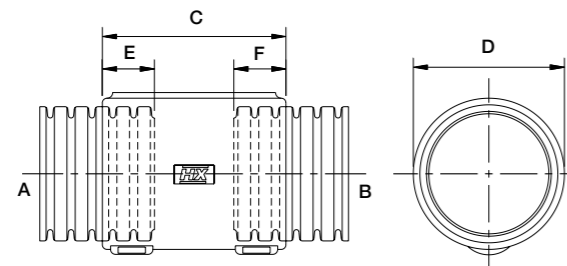


Approvals

CE Mark to the Low Voltage Directive
 RoHS Compliant to 2011/65/EU
 Conforms with End of Life Vehicle directive (ELV) EU200/53/EC

IP Rating	Appropriate Conduit	Fire Performance	Temperature Range
For use with: All conduits in the Harnessflex range		Self Extinguishing	-40°C to +120°C
IP40	Yes	Low Smoke Toxicity	
IP67	N/A	Halogen Free	UV Resistance
IP68	N/A		Very High

Dimensions



- 1 One-piece external design**
Unrestricted bore and quick assembly requiring no tools.
- 2 High pull-off strength**
Conduit corrugations sit tightly into joiner junctions.
- 3 Conduit size labels**
Each junction indicates nominal conduit size to aid installation.

Hinged fittings

External hinged elbow



External Hinged Elbow

External Hinged Elbow

One-piece joiner and elbow hinged fittings allow a variety of conduit size variations. These fittings are designed to snap together over all types of slit and unslit conduit, maintaining maximum conduit bore. Can be used as an in-line reducer as well as an enlarger.

Part No.	Conduit Size (NC)		Conduit Size (NW)		Nominal Dimensions				
	A	B	A	B	C	D	E	F	G
EPS08S08*	08	08	7.5	7.5	38mm	29mm	20mm	10mm	10mm
EPS12S12*	12	12	10	10	38mm	29mm	20mm	10mm	10mm
EPS1608	16	08	10	7.5	34mm	34mm	21mm	10mm	10mm
EPS1612	16	12	13	10	34mm	34mm	21mm	10mm	10mm
EPS1616	16	16	13	13	34mm	34mm	21mm	10mm	10mm
EPS2008	20	08	17	7.5	41mm	39mm	26mm	12mm	10mm
EPS2012	20	12	17	10	41mm	41mm	26mm	10mm	10mm
EPS2016	20	16	17	13	41mm	41mm	26mm	12mm	10mm
EPS2020	20	20	17	17	41mm	41mm	26mm	12mm	12mm
EPS2520	25	20	22	17	48mm	48mm	33mm	13mm	12mm
EPS2525	25	25	22	22	48mm	48mm	33mm	13mm	13mm
EPS2812	28	12	23	10	48mm	48mm	33mm	13mm	10mm
EPS2816	28	16	23	13	48mm	48mm	33mm	13mm	10mm
EPS2820	28	20	23	17	48mm	48mm	33mm	13mm	12mm
EPS2825	28	25	23	22	48mm	48mm	33mm	13mm	13mm
EPS2828	28	28	23	23	48mm	48mm	33mm	13mm	13mm
EPS3232**	32	32	29	29	60mm	60mm	38mm	12mm	12mm
EPS4040**	40	40	36	36	67mm	67mm	47mm	15mm	15mm

*NOTE: Swivel fitting **NOTE: Split fitting not hinged

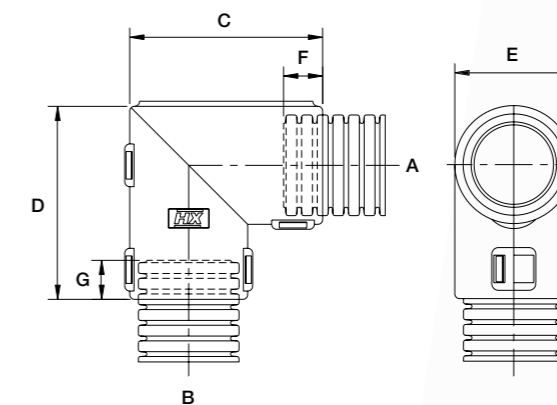


Approvals

CE Mark to the Low Voltage Directive
 RoHS Compliant to 2011/65/EU
 Conforms with End of Life Vehicle directive (ELV) EU200/53/EC

IP Rating	Appropriate Conduit	Fire Performance	Temperature Range
For use with: All conduits in the Harnessflex range		Self Extinguishing	-40°C to +120°C
IP40	Yes	Low Smoke Toxicity	
IP67	N/A	Halogen Free	UV Resistance
IP68	N/A		Very High

Dimensions



- 1 One-piece external design**
Unrestricted bore and quick assembly requiring no tools.
- 2 High pull-off strength**
Conduit corrugations sit tightly into joiner junctions.
- 3 Conduit size labels**
Each junction indicates nominal conduit size to aid installation.

