

Hinged fittings

External hinged Y-piece



External Hinged Y-piece

External Hinged Y-piece

One-piece asymmetrical 3 junction fittings allow a variety of conduit variations. These fittings are designed to snap together over all types of slit and unslit conduit, maintaining maximum conduit bore.

Part No.	Conduit Size (NC)			Conduit Size (NW)			Nominal Dimensions				
	A	B	C	A	B	C	D	E	F	G	H
YPS080808	08	08	08	7.5	7.5	7.5	55mm	37mm	10mm	10mm	10mm
YPS080812	08	08	12	7.5	7.5	10	55mm	37mm	10mm	10mm	10mm
YPS081208	08	12	08	7.5	10	7.5	55mm	37mm	10mm	10mm	10mm
YPS101010	10	10	10	8.5	8.5	8.5	55mm	37mm	10mm	10mm	10mm
YPS120808	12	08	08	10	7.5	7.5	55mm	37mm	10mm	10mm	10mm
YPS120810	12	08	10	10	7.5	8.5	55mm	37mm	10mm	10mm	10mm
YPS120812	12	08	12	10	7.5	10	55mm	37mm	10mm	10mm	10mm
YPS121010	12	10	10	10	8.5	8.5	55mm	37mm	10mm	10mm	10mm
YPS121208	12	12	08	10	10	7.5	55mm	37mm	10mm	10mm	10mm
YPS121210	12	12	10	10	10	8.5	55mm	37mm	10mm	10mm	10mm
YPS121212	12	12	12	10	10	10	55mm	37mm	10mm	10mm	10mm
YPS160812	16	08	12	13	7.5	10	55mm	37mm	10mm	10mm	10mm
YPS161010	16	10	10	13	8.5	8.5	55mm	40mm	10mm	10mm	10mm
YPS161208	16	12	08	13	10	7.5	55mm	40mm	10mm	10mm	10mm
YPS161210	16	12	10	13	10	8.5	55mm	40mm	10mm	10mm	10mm
YPS161212	16	12	12	13	10	10	55mm	40mm	10mm	10mm	10mm
YPS161608	16	16	08	13	13	7.5	55mm	40mm	10mm	10mm	10mm
YPS161610	16	16	10	13	13	8.5	55mm	40mm	10mm	10mm	10mm
YPS161612	16	16	12	13	13	10	55mm	40mm	10mm	10mm	10mm
YPS200808	20	08	08	17	7.5	7.5	43mm	37mm	12mm	10mm	10mm
YPS201208	20	12	08	17	10	7.5	43mm	37mm	12mm	10mm	10mm
YPS201210	20	12	10	17	10	8.5	43mm	37mm	12mm	10mm	10mm
YPS201212	20	12	12	17	10	10	43mm	37mm	12mm	10mm	10mm
YPS201608	20	16	08	17	13	7.5	43mm	37mm	12mm	10mm	10mm
YPS201612	20	16	12	17	13	10	48mm	40mm	12mm	10mm	10mm
YPS201616	20	16	16	17	13	13	48mm	40mm	12mm	10mm	10mm
YPS202008	20	20	08	17	17	7.5	56mm	45mm	12mm	10mm	10mm
YPS202010	20	20	10	17	17	8.5	58mm	45mm	12mm	12mm	10mm
YPS202012	20	20	12	17	17	10	58mm	45mm	12mm	12mm	10mm
YPS202016	20	20	16	17	17	13	64mm	48mm	12mm	12mm	10mm



1 One-piece external design

Unrestricted bore and quick assembly requiring no tools.

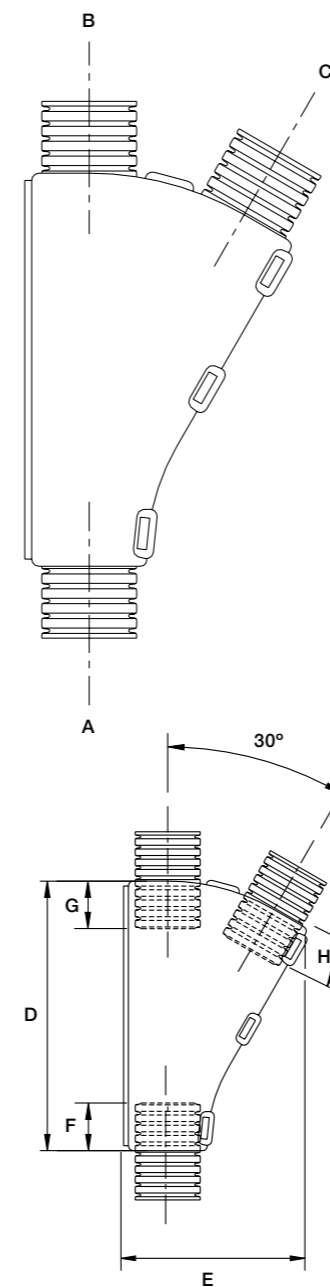
2 High pull-off strength

Conduit corrugations sit tightly into joiner junctions.

3 Conduit size labels

Each junction indicates nominal conduit size to aid installation.

Dimensions



Approvals

CE Mark to the Low Voltage Directive
 RoHS Compliant to 2011/65/EU
 Conforms with End of Life Vehicle directive (ELV) EU200/53/EC

Part No.	Conduit Size (NC)			Conduit Size (NW)			Nominal Dimensions				
	A	B	C	A	B	C	D	E	F	G	H
YPS252012	25	20	12	22	17	10	54mm	49mm	13mm	12mm	10mm
YPS252016	25	20	16	22	17	13	54mm	49mm	10mm	12mm	10mm
YPS252020	25	20	20	22	17	17	54mm	49mm	10mm	12mm	12mm
YPS252508	25	25	08	22	22	7.5	67mm	56mm	10mm	12mm	10mm
YPS252510	25	25	10	22	22	8.5	67mm	56mm	10mm	13mm	10mm
YPS252512	25	25	12	22	22	10	67mm	56mm	10mm	13mm	10mm
YPS252516	25	25	16	22	22	13	67mm	56mm	10mm	13mm	10mm
YPS252520	25	25	20	22	22	17	77mm	60mm	10mm	13mm	12mm
YPS252525	25	25	25	22	22	22	91mm	67mm	10mm	13mm	13mm
YPS282012	28	20	12	23	17	10	54mm	49mm	10mm	13mm	10mm
YPS282016	28	20	16	23	17	13	54mm	49mm	10mm	12mm	10mm
YPS282020	28	20	20	23	17	17	54mm	49mm	10mm	12mm	12mm
YPS282512	28	25	12	23	22	10	67mm	56mm	10mm	12mm	10mm
YPS282520	28	25	20	23	22	17	77mm	60mm	10mm	13mm	12mm
YPS282525	28	25	25	23	22	22	91mm	67mm	10mm	13mm	13mm
YPS282808	28	28	08	23	23	7.5	67mm	56mm	10mm	13mm	10mm
YPS282812	28	28	12	23	23	10	67mm	56mm	10mm	13mm	10mm
YPS282816	28	28	16	23	23	13	67mm	56mm	10mm	13mm	10mm
YPS282820	28	28	20	23	23	17	77mm	60mm	10mm	13mm	12mm
YPS282825	28	28	25	23	23	22	91mm	67mm	12mm	13mm	13mm
YPS282828	28	28	28	23	23	23	91mm	67mm	12mm	13mm	13mm
YPS322516	32	25	16	29	22	13	100mm	75mm	12mm	13mm	10mm
YPS322520	32	25	20	29	22	17	100mm	76mm	12mm	13mm	12mm
YPS322525	32	25	25	29	22	22	100mm	79mm	12mm	13mm	13mm
YPS322532	32	25	32	29	22	29	100mm	82mm	12mm	13mm	13mm
YPS323216	32	32	16	29	29	13	100mm	75mm	12mm	13mm	10mm
YPS323220	32	32	20	29	29	17	100mm	76mm	12mm	13mm	12mm
YPS323225	32	32	25	29	29	22	100mm	79mm	12mm	13mm	13mm
YPS323232	32	32	32	29	29	29	100mm	82mm	13mm	13mm	13mm
YPS403212*	40	32	12	36	29	10	133mm	91mm	15mm	12mm	10mm
YPS403216*	40	32	16	36	29	13	133mm	92mm	15mm	12mm	10mm
YPS403225*	40	32	25	36	29	22	133mm	92mm	15mm	12mm	12mm
YPS403228*	40	32	28	36	29	23	133mm	92mm	15mm	12mm	12mm
YPS404012*	40	40	12	36	36	10	135mm	93mm	15mm	15mm	10mm
YPS404016*	40	40	16	36	36	13	135mm	93mm	15mm	15mm	10mm
YPS404025*	40	40	25	36	36	22	135mm	93mm	15mm	15mm	12mm
YPS404028*	40	40	28	36	36	23	135mm	93mm	15mm	15mm	12mm
YPS404032*	40	40	32	36	36	29	135mm	96mm	15mm	15mm	12mm
YPS404040*	40	40	40	36	36	36	135mm	100mm	15mm	15mm	15mm

*Size 40 YPS fittings are not hinged. They are a two part fitting

IP Rating	Appropriate Conduit	Fire Performance	Temperature Range
For use with:	All conduits in the Harnessflex range	Self Extinguishing	-40°C to +120°C
IP40	Yes	Low Smoke Toxicity	
IP67	N/A	Halogen Free	UV Resistance
IP68	N/A		Very High