

TempGuard hinged fittings

Type JPH - External hinged joiner



3 Type JPH
External High Temperature
Hinged Joiner

Type JPH - External High Temperature Hinged Joiner

One-piece joiner and elbow hinged fittings allow a variety of conduit size variations. These fittings are designed to snap together over all types of slit and unslit Harnessflex conduit, maintaining maximum conduit bore. Can be used as an in-line reducer as well as an enlarger.

Part No.	Conduit Size (NC)		Conduit Size (NW)		Nominal Dimensions				
	A	B	A	B	C	D	E	F	
JPH1212	12	12	10	10	36mm	16mm	10mm	10mm	
JPH1612	16	12	13	10	36mm	21mm	10mm	10mm	

Part No.	Conduit Size (NC)		Conduit Size (NW)		Nominal Dimensions				
	A	B	A	B	C	D	E	F	
JPH1208*	12	08	10	7.5	38mm	16mm	10mm	10mm	
JPH1616*	16	16	13	13	36mm	21mm	10mm	10mm	
JPH2008*	20	08	17	7.5	38mm	26mm	12mm	10mm	
JPH2016*	20	16	17	13	38mm	26mm	12mm	10mm	
JPH2020*	20	20	17	17	38mm	26mm	12mm	12mm	

*Made to order - Part numbers listed are available to order but not stocked items, and would therefore be subject to manufacturing leadtime

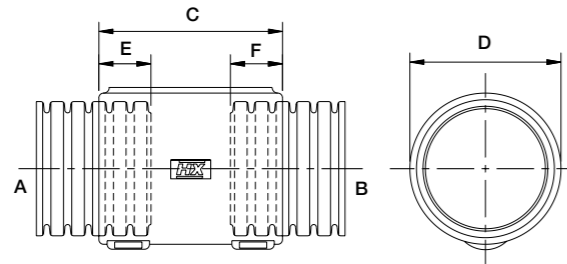


Approvals

CE Mark to the Low Voltage Directive
RoHS Compliant to 2011/65/EU
Conforms with **End of Life Vehicle directive (ELV) EU200/53/EC**

IP Rating	Appropriate Conduit	Fire Performance	Temperature Range
For use with: All conduits in the Harnessflex range		Self Extinguishing	-40°C to +200°C
IP40	Yes	Low Smoke Toxicity	
IP67	N/A	Halogen Free	UV Resistance
IP68	N/A	UL94 V2 / UL94 RT1 150 (Elec)	High

Dimensions



1

1 One-piece external design

Unrestricted bore and quick assembly requiring no tools.

2 High pull-off strength

Conduit corrugations sit tightly into joiner junctions.

3 Conduit size labels

Each junction indicates nominal conduit size to aid installation.

TempGuard hinged fittings

Type EPH - External hinged elbow



3 Type EPH
External High Temperature
Hinged Elbow

Type EPH - External High Temperature Hinged Elbow

One-piece joiner and elbow hinged fittings allow a variety of conduit size variations. These fittings are designed to snap together over all types of slit and unslit Harnessflex conduit, maintaining maximum conduit bore. Can be used as an in-line reducer as well as an enlarger.

Part No.	Conduit Size (NC)		Conduit Size (NW)		Nominal Dimensions				
	A	B	A	B	C	D	E	F	G
EPH1612	16	12	13	10	34mm	34mm	21mm	10mm	10mm
EPH1616	16	16	13	13	34mm	34mm	21mm	10mm	10mm
EPH2020	20	20	17	17	41mm	41mm	26mm	12mm	12mm

Part No.	Conduit Size (NC)		Conduit Size (NW)		Nominal Dimensions				
	A	B	A	B	C	D	E	F	G
EPH08S08*	08	08	7.5	7.5	38mm	29mm	20mm	10mm	10mm
EPH12S12*	12	12	10	10	38mm	29mm	20mm	10mm	10mm
EPH1608*	16	08	10	7.5	34mm	34mm	21mm	10mm	10mm
EPH2008*	20	08	17	7.5	41mm	39mm	26mm	12mm	10mm
EPH2016*	20	16	17	13	41mm	41mm	26mm	12mm	10mm

*Made to order - Part numbers listed are available to order but not stocked items, and would therefore be subject to manufacturing leadtime

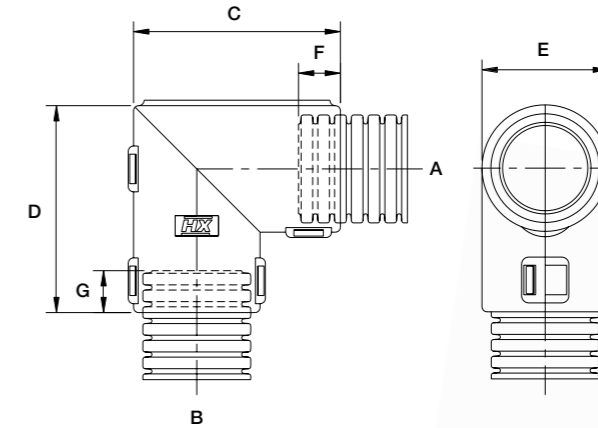


Approvals

CE Mark to the Low Voltage Directive
RoHS Compliant to 2011/65/EU
Conforms with **End of Life Vehicle directive (ELV) EU200/53/EC**

IP Rating	Appropriate Conduit	Fire Performance	Temperature Range
For use with: All conduits in the Harnessflex range		Self Extinguishing	-40°C to +200°C
IP40	Yes	Low Smoke Toxicity	
IP67	N/A	Halogen Free	UV Resistance
IP68	N/A	UL94 V2 / UL94 RT1 150 (Elec)	High

Dimensions



1 One-piece external design

Unrestricted bore and quick assembly requiring no tools.

2 High pull-off strength

Conduit corrugations sit tightly into joiner junctions.

3 Conduit size labels

Each junction indicates nominal conduit size to aid installation.

1

3

2