

TempGuard two-piece fittings

Two-piece X configuration fitting



Two-piece X Configuration Fitting

Two-piece X configuration fitting providing protection for in-line connectors, fuse links, circuit breakers and splicing areas. The strong construction allows for the protection of delicate connections, or as an alternative when an interface/backshell isn't available. These fittings are designed to snap together over all types of slit and unslit Harnessflex conduit, maintaining maximum conduit bore.

Part No.	Conduit Size (NC)				Conduit Size (NW)				Conduit Engagement				Nominal Dimensions		
	A	B	C	D	A	B	C	D	E	F	G	H	I	J	K
XPH1208	12	08	12	08	10	7.5	10	7.5	9.5mm	7mm	9.5mm	7mm	42.3mm	5.5mm	38mm

Two-piece X Configuration Fitting



Approvals

CE Mark to the Low Voltage Directive
RoHS Compliant to 2011/65/EU
 Conforms with **End of Life Vehicle directive (ELV) EU200/53/EC**

IP Rating

IP Rating	Appropriate Conduit
IP40	Yes
IP67	N/A
IP68	N/A

Fire Performance

Fire Performance
Self Extinguishing
Low Smoke Toxicity
Halogen Free
UL94 V2 / UL94 RT1 150 (Elec)

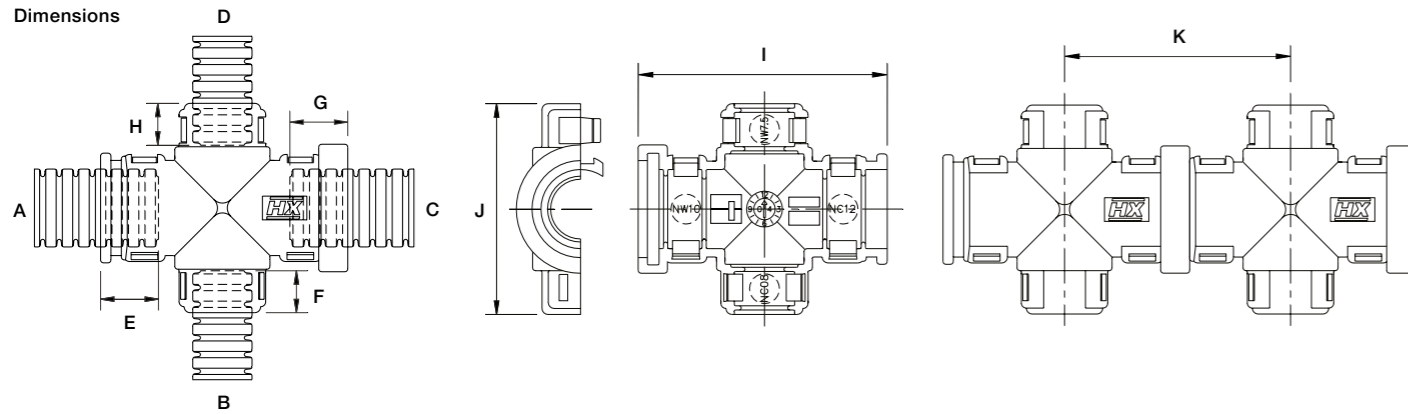
Temperature Range

Temperature Range
-40°C to +200°C

UV Resistance

UV Resistance
High

Dimensions



1 Compact design

Reducing distance between centres.

2 High pull-off strength

Conduit corrugations sit tightly into joiner junctions.

3 Snap together

Fittings can be linked together for multiple outlet options without the need for short conduit joints.

Two-piece fittings

Two-piece X configuration fitting



Two-piece X Configuration Fitting

Two-piece X configuration fitting providing protection for in-line connectors, fuse links, circuit breakers and splicing areas. The GPS shrouds can be used as a harness datum, due to the interated cable tie/fir tree facility. The strong construction allows for the protection of delicate connections, or as an alternative when an interface/backshell isn't available. These fittings are designed to snap together over all types of slit and unslit conduit, maintaining maximum conduit bore.

Part No.	Conduit Size (NC)				Conduit Size (NW)				Conduit Engagement				Nominal Dimensions		
	A	B	C	D	A	B	C	D	E	F	G	H	I	J	K
XPS1208	12	08	12	08	10	7.5	10	7.5	9.5mm	7mm	9.5mm	7mm	42.3mm	5.5mm	38mm

Two-piece X Configuration Fitting



Approvals

CE Mark to the Low Voltage Directive
RoHS Compliant to 2011/65/EU
 Conforms with **End of Life Vehicle directive (ELV) EU200/53/EC**

IP Rating

IP Rating	Appropriate Conduit
IP40	Yes
IP67	N/A
IP68	N/A

Fire Performance

Fire Performance
Self Extinguishing
Low Smoke Toxicity
Halogen Free

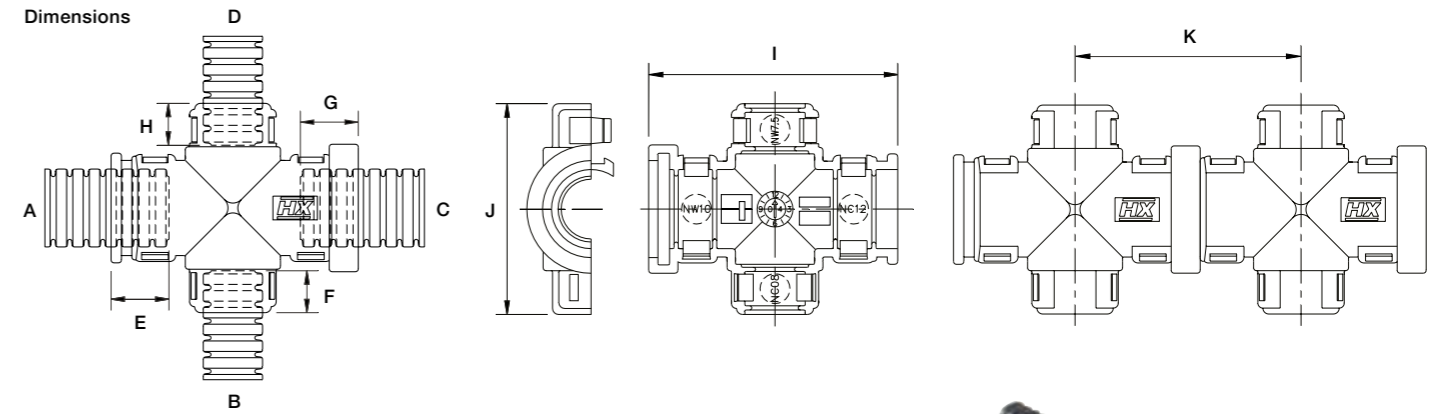
Temperature Range

Temperature Range
-40°C to +120°C

UV Resistance

UV Resistance
Very High

Dimensions



1 Compact design

Reducing distance between centres.

2 High pull-off strength

Conduit corrugations sit tightly into joiner junctions.

3 Snap together

Fittings can be linked together for multiple outlet options without the need for short conduit joints.