

## Two-piece fittings

### Two-piece 5 way fitting



Two-piece  
5 Way Fitting

#### Two-piece 5 Way Fitting

Two identical half shells snap together to give a 5 Way conduit fitting. Designed to fit all Harnessflex conduit. Additional configurations possible (dependent on volume).

Part No.	Conduit Size (NC)					Conduit Size (NW)					Nominal Dimensions								
	A	B	C	D	E	A	B	C	D	E	F	G	H	I	J	K	L	M	
MPS121212-2020	12	12	12	20	20	10	10	10	17	17	10mm	7mm	10mm	10mm	10mm	59mm	92mm	32mm	
MPS122812-2020	12	28	12	20	20	10	23	10	17	17	10mm	12mm	10mm	10mm	10mm	67mm	92mm	32mm	
MPS201220-2020	20	12	20	20	20	17	17	10	17	17	12mm	7mm	12mm	10mm	10mm	59mm	92mm	32mm	
MPS202820-2020	20	28	20	20	20	17	23	17	17	17	12mm	12mm	12mm	10mm	10mm	67mm	92mm	32mm	
MPS251225-2020	25	12	25	20	20	22	10	22	17	17	11mm	7mm	11mm	10mm	10mm	59mm	92mm	32mm	
MPS252825-2020	25	28	25	20	20	22	23	22	17	17	11mm	12mm	11mm	10mm	10mm	67mm	92mm	32mm	



#### Approvals

CE Mark to the Low Voltage Directive  
RoHS Compliant to 2011/65/EU  
Conforms with End of Life Vehicle directive (ELV) EU200/53/EC

#### IP Rating

IP40  
IP67  
IP68

#### Appropriate Conduit

For use with: All conduits in the Harnessflex range  
Yes  
N/A  
N/A

#### Fire Performance

Self Extinguishing  
Low Smoke Toxicity  
Halogen Free

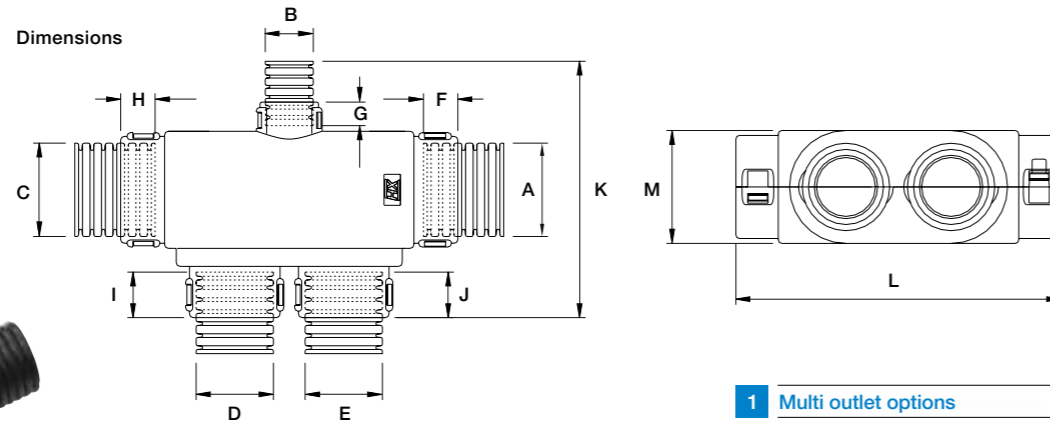
#### Temperature Range

-40°C to +120°C

#### UV Resistance

Very High

#### Dimensions



#### 1 Multi outlet options

Connect multiple pieces of conduit to one fitting.

#### 2 Outlets can be blanked

Outlets can be easily blanked using BPST08, BCH12 & BCH20 - See page 4/33.

## Accessories

### In-line hinged circular fitting



In-line Hinged  
Circular Fitting



#### Approvals

CE Mark to the Low Voltage Directive  
RoHS Compliant to 2011/65/EU  
Conforms with End of Life Vehicle directive (ELV) EU200/53/EC

#### In-line Hinged Circular Fitting

One-piece straight fittings providing in-line 'customised' combinations of multiple conduit breakouts. ST break out disk configuration can be made to order, for more details see website for specification and ordering sheet.

Part No.	Conduit Size (A)		Nominal Dimensions		
	NC	NW	B	C	D
CI20-A31	20	17	62mm	45mm	12mm
CI25-A31	25	22	62mm	45mm	13mm
CI32-A31	32	29	62mm	45mm	13mm

#### IP Rating

IP40  
IP67  
IP68

#### Appropriate Conduit

For use with: All conduits in the Harnessflex range  
Yes  
N/A  
N/A

#### Fire Performance

Self Extinguishing  
Low Smoke Toxicity  
Halogen Free

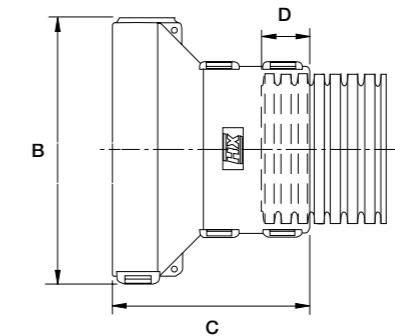
#### Temperature Range

-40°C to +120°C

#### UV Resistance

Very High

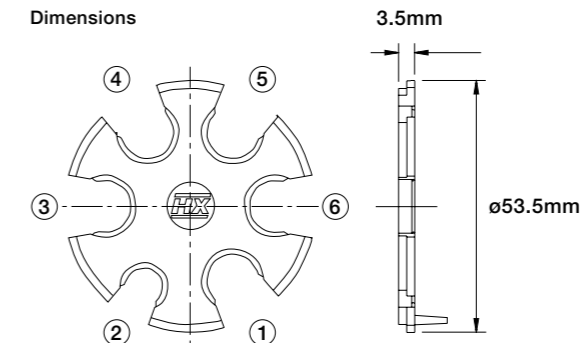
#### Dimensions



Part No.	Breakout Type					
	1	2	3	4	5	6
ST31-100	NC08	NC08	NC08	BLANK	NC08	NC08
ST31-101	NC12	NC12	NC08	BLANK	BLANK	NC12
ST31-102	NC08	NC08	NC08	NC08	NC08	NC08
ST31-103	NC12	NC12	NC12	NC12	NC12	NC12

NOTE: Other configurations available on request

#### Dimensions



Circular  
Breakout Fitting