

External hinged connector interfaces

AMP Junior & Mini timer



AMP Junior & Mini Timer Straight Interface

AMP Junior & Mini Timer - External Hinged Connector Interface

Single junction straight and 90° elbow interfaces providing high integrity connections between AMP Superseal or Junior timer connectors and Harnessflex conduit systems. These fittings are designed to snap together over all types of slit and unslit conduit, maintaining maximum conduit bore. In addition, 90° elbow versions allow the conduit to swivel 360° around the connector housing.

Part No.	Conduit Size		Nominal Dimensions				Interface Reference	Connector Reference
	NC	NW	A	B	C	D		
AMP Junior Timer Straight Interface								
CI08-AM2	08	7.5	24.9mm	21.3mm	18mm	10mm	2 Way	347887-3*
CI08-AM3	08	7.5	24.9mm	27.2mm	18mm	10mm	3 Way	1-827578-1*
CI08-AM4	08	7.5	37.0mm	32.0mm	19mm	10mm	4 Way	281804-1*
CI10-AM2	10	8.5	37.0mm	21.0mm	19mm	10mm	2 Way	347887-3*
CI10-AM3	10	8.5	37.0mm	27.0mm	19mm	10mm	3 Way	1-827578-1*
CI10-AM4	10	8.5	37.0mm	32.0mm	19mm	10mm	4 Way	281804-1*
CI12-AM2	12	10	24.9mm	21.3mm	18mm	10mm	2 Way	347887-3*
CI12-AM3	12	10	24.9mm	27.2mm	18mm	10mm	3 Way	1-827578-1*
CI12-AM4	12	10	37.0mm	32.0mm	19mm	10mm	4 Way	281804-1*

*All Colour and Wire variants

Part No.	Conduit Size		Nominal Dimensions				Interface Reference	Connector Reference
	NC	NW	A	B	C	D		
AMP Mini Timer Straight Interface								
CI12-X01	12	10	34mm	16.2mm	19.6mm	10mm	-	-



AMP Junior & Mini Timer 90° Elbow Swivel Interface

Part No.	Conduit Size		Nominal Dimensions				Interface Reference	Connector Reference
	NC	NW	A	B	C	D		
AMP Junior Timer 90° Elbow Swivel Interface								
CI08-90-AM2	08	7.5	35.7mm	30.3mm	21.3mm	7mm	2 Way	347887-3*
CI08-90-AM3	08	7.5	35.7mm	30.3mm	27.2mm	7mm	3 Way	1-827578-1*
CI08-90-AM4	08	7.5	39.5mm	30.3mm	32.0mm	7mm	4 Way	281804-1*
CI10-90-AM2	10	8.5	37.5mm	38.0mm	21.3mm	10mm	2 Way	347887-3*
CI10-90-AM3	10	8.5	37.5mm	38.0mm	27.2mm	10mm	3 Way	1-827578-1*
CI10-90-AM4	10	8.5	41.2mm	38.0mm	32.0mm	10mm	4 Way	281804-1*
CI12-90-AM2	12	10	35.7mm	30.3mm	21.3mm	7mm	2 Way	347887-3*
CI12-90-AM3	12	10	35.7mm	30.3mm	27.2mm	7mm	3 Way	1-827578-1*
CI12-90-AM4	12	10	39.5mm	30.3mm	32.0mm	7mm	4 Way	281804-1*

*All Colour and Wire variants

Part No.	Conduit Size		Nominal Dimensions				Interface Reference	Connector Reference
	NC	NW	A	B	C	D		
AMP Mini Timer 90° Elbow Swivel Interface								
CI12-90-X01	12	10	37mm	30.3mm	19mm	10mm	-	-



Approvals

CE Mark to the Low Voltage Directive

RoHS Compliant to 2011/65/EU

Conforms with End of Life Vehicle directive (ELV) EU200/53/EC

IP Rating

For use with: All conduits in the Harnessflex range

IP40

IP67

IP68

Appropriate Conduit

Yes

N/A

N/A

Fire Performance

Self Extinguishing

Low Smoke Toxicity

Halogen Free

Temperature Range

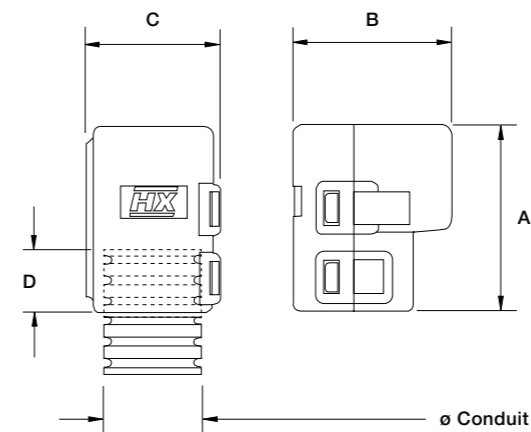
-40°C to +120°C

UV Resistance

Very High

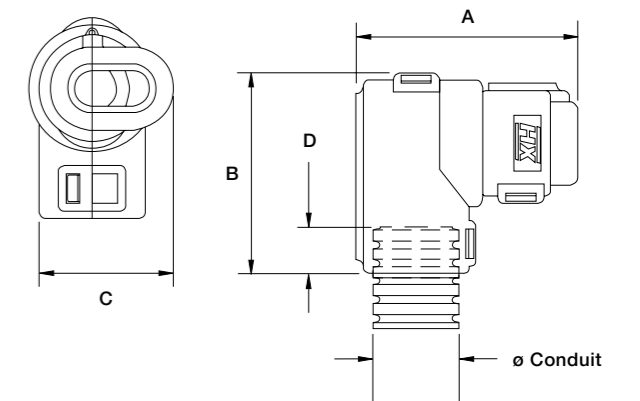
Dimensions

External straight connector interface



Dimensions

External 90° elbow connector interface



1 High pull-off strength

Conduit corrugations locate securely providing high pull off strength.

2 Conduit size labels

Each junction indicates nominal conduit size to aid installation.

3 Straight or 90° elbow versions

Compact design ideal for use where space is limited.

4 Swivel elbow

Allowing 360 degree rotation for ease of routing.