

External hinged connector interfaces

Deutsch - DT Series



Deutsch - DT Series Straight Interfaces

Deutsch - DT Series Straight Interface - External Hinged Connector Interface

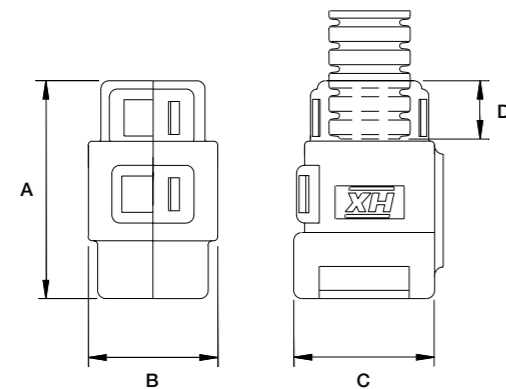
Straight and 90° elbow interfaces providing high integrity connections between Deutsch DT connectors and Harnessflex conduit systems. These interfaces are designed to snap together over all types of Harnessflex slit and unslit conduit, maintaining maximum conduit bore. In addition, 90° elbow versions allow the conduit to swivel 360° around the connector housing. Also compatible with Amphenol and Molex connector versions.

Part No.	Conduit Size		Nominal Dimensions				Interface Reference	Connector Reference
	NC	NW	A	B	C	D		
Deutsch - DT Series Straight Interface								
CI08-DT2	08	7.5	26mm	16mm	18mm	7mm	2 Way	DT06-2S*
CI08-DT3	08	7.5	30mm	22mm	24mm	12mm	3 Way	DT06-3S*
CI08-DT4	08	7.5	42mm	18mm	27mm	12mm	4 Way	DT06-4S*
CI08-DT6	08	7.5	42mm	22mm	27mm	12mm	6 Way	DT06-6S*
CI12-DT2	12	10	26mm	16mm	18mm	7mm	2 Way	DT06-2S*
CI12-DT3	12	10	29mm	22mm	24mm	7mm	3 Way	DT06-3S*
CI12-DT4	12	10	40mm	18mm	27mm	7mm	4 Way	DT06-4S*
CI12-DT6	12	10	40mm	22mm	27mm	10mm	6 Way	DT06-6S*
CI12-DT8	12	10	40mm	25mm	30mm	10mm	8 Way	DT06-8SA*
CI16-DT12	16	13	44mm	24mm	40mm	10mm	12 Way	DT06-12SA*

*All Colour variants

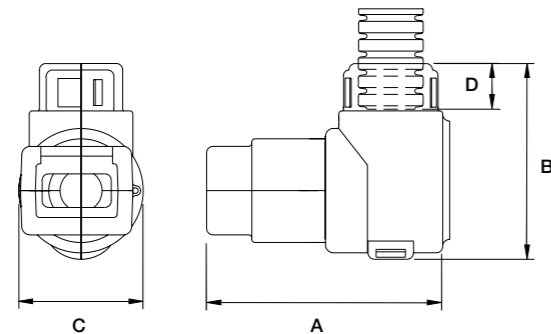
Dimensions

Straight connector



Dimensions

90° Connector



Deutsch - DT Series 90° Elbow Swivel Interfaces



Approvals

CE Mark to the Low Voltage Directive

RoHS Compliant to 2011/65/EU

Conforms with End of Life Vehicle directive (ELV) EU200/53/EC

Deflects water from connector

During high pressure cleaning.

High pull-off strength

Conduit corrugations locate securely providing high pull off strength.

Part No.	Conduit Size		Nominal Dimensions				Interface Reference	Connector Reference
	NC	NW	B	C	D	E		
Deutsch - DT Series 90° Elbow Swivel Interface								
CI08-90-DT2	08	7.5	36mm	30mm	19mm	7mm	2 Way	DT06-2S*
CI08-90-DT3	08	7.5	44mm	30mm	23mm	7mm	3 Way	DT06-3S*
CI08-90-DT4	08	7.5	48mm	30mm	25mm	7mm	4 Way	DT06-4S*
CI08-90-DT6	08	7.5	48mm	34mm	25mm	7mm	6 Way	DT06-6S*
CI12-90-DT2	12	10	36mm	30mm	19mm	7mm	2 Way	DT06-2S*
CI12-90-DT3	12	10	44mm	30mm	23mm	7mm	3 Way	DT06-3S*
CI12-90-DT4	12	10	48mm	30mm	25mm	7mm	4 Way	DT06-4S*
CI12-90-DT6	12	10	48mm	34mm	25mm	7mm	6 Way	DT06-6S*
CI12-90-DT8	12	10	63mm	37mm	30mm	10mm	8 Way	DT06-8S*
CI12-90-DT12	12	10	68mm	36mm	38mm	10mm	12 Way	DT06-12SA*
CI16-90-DT8	16	13	63mm	37mm	30mm	10mm	8 Way	DT06-8SA*
CI16-90-DT12	16	13	68mm	36mm	38mm	10mm	12 Way	DT06-12SA*

*All Colour variants

IP Rating

For use with: All conduits in the Harnessflex range

IP40

Yes

IP67

N/A

IP68

N/A

Appropriate Conduit

For use with: All conduits in the Harnessflex range

IP40

Yes

IP67

N/A

IP68

N/A

Fire Performance

Self Extinguishing

Low Smoke Toxicity

Halogen Free

Temperature Range

-40°C to +120°C

UV Resistance

Very High

