

External hinged connector interfaces Deutsch - DTP04 Series



Deutsch - DTP04 Series Interface - External Hinged Connector Interface

Single compact 90° elbow interfaces providing a dual orientation high integrity connection between the Deutsch DTP04 and Harnessflex conduit systems. These interfaces are designed to snap together over all types of Harnessflex slit and unslit conduit, maintaining maximum conduit bore. The 16-90-DTP04 adaptor will snap into the outlet of a 16mm hinged fitting including types 'Y' (YPS), 'T' (TPS), elbows (EPS) and joiners (JPS).

Deutsch - DTP04 Series
90° Elbow Interface



Approvals

CE Mark to the Low Voltage Directive

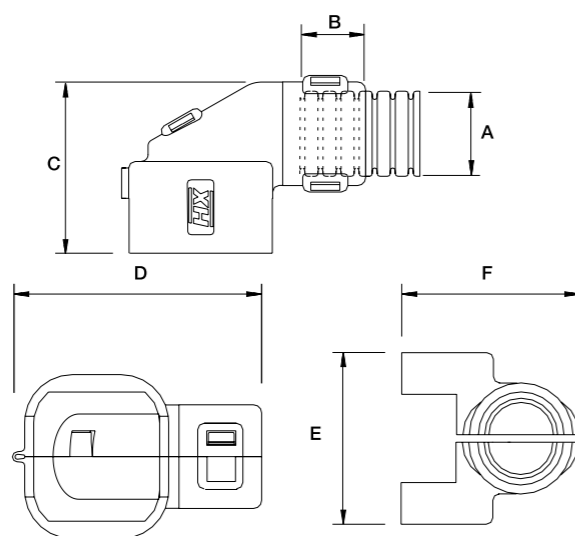
RoHS Compliant to 2011/65/EU

Conforms with **End of Life Vehicle directive (ELV) EU200/53/EC**

Part No.	Conduit Size (A)		Nominal Dimensions				
	NC	NW	B	C	D	E	F
CI12-90-DTP04	12	7.5	10mm	27mm	37mm	25mm	28mm
16-90-DTP04	-	-	-	27mm	35mm	25mm	27mm

IP Rating	Appropriate Conduit	Fire Performance	Temperature Range
IP40	Yes	Self Extinguishing	-40°C to +120°C
IP67	N/A	Low Smoke Toxicity	
IP68	N/A	Halogen Free	
			UV Resistance
			Very High

Dimensions



2 piece connector interfaces Deutsch - DRC50



Deutsch - DRC50 Interface - External 2 piece Connector Interface

Two identical half shells snap together onto the twin outlets of the Deutsch DRC50 interface giving a 3 Way conduit fitting. These interfaces are designed to snap together over all types of Harnessflex slit and unslit conduit, maintaining maximum conduit bore.

Deutsch - DRC50
3 Way Interface

Part No.	Conduit Size (NC)			Conduit Size (NW)			Nominal Dimensions					
	A	B	C	A	B	C	D	E	F	G	H	I
CI122812-DRC50	12	28	12	10	23	10	8mm	10mm	8mm	58mm	92mm	36mm
CI201220-DRC50	20	12	20	17	10	17	10mm	8mm	10mm	50mm	92mm	36mm
CI202820-DRC50	20	28	20	17	23	17	10mm	10mm	10mm	58mm	92mm	36mm
CI251225-DRC50	25	12	25	22	10	22	10mm	8mm	10mm	50mm	92mm	36mm
CI252825-DRC50	25	28	25	22	23	22	10mm	10mm	10mm	58mm	92mm	36mm



Approvals

CE Mark to the Low Voltage Directive

RoHS Compliant to 2011/65/EU

Conforms with **End of Life Vehicle directive (ELV) EU200/53/EC**

IP Rating	Appropriate Conduit	Fire Performance	Temperature Range
IP40	Yes	Self Extinguishing	-40°C to +120°C
IP67	N/A	Low Smoke Toxicity	
IP68	N/A	Halogen Free	
			UV Resistance
			Very High

Dimensions

