

External hinged connector interfaces

FCI Automotive Apex 2.8



FCI Automotive Apex 2.8
Straight & 90° Elbow Swivel Interface

FCI Automotive Apex 2.8 Interface - External Hinged Connector Interface

Single junction, straight and 90° elbow interfaces providing high integrity connections between FCI Apex connectors or Junior timer connectors and Harnessflex conduit systems. These interfaces are designed to snap together over all types of slit and unslit conduit, maintaining maximum conduit bore. In addition, 90° elbow versions allow the conduit to swivel 360° around the connector housing.

Part No.	Conduit Size		Nominal Dimensions			
	NC	NW	B	C	D	E
FCI Automotive Apex 2.8 Straight Interface						
CI08-FCI02	08	7.5	25.0mm	17.0mm	33.0mm	12mm
CI08-FCI03	08	7.5	34.0mm	17.0mm	34.0mm	12mm
CI08-FCI04	08	7.5	39.0mm	17.0mm	34.0mm	12mm
CI12-FCI02	12	10	25.0mm	17.0mm	27.0mm	7mm
CI12-FCI03	12	10	35.0mm	17.0mm	29.0mm	7mm
CI12-FCI04	12	10	38.0mm	17.0mm	29.0mm	7mm
CI12-FCI14	12	10	53.0mm	26.0mm	34.0mm	10mm
CI16-FCI14	16	13	53.0mm	26.0mm	59.0mm	10mm
16-FCI14	16	13	53.0mm	26.0mm	33.0mm	-
CI17-FCI10	16	13	39.2mm	25.5mm	44.0mm	10.6mm
CI25-FCI50	25	22	56.0mm	37.0mm	50.7mm	13mm

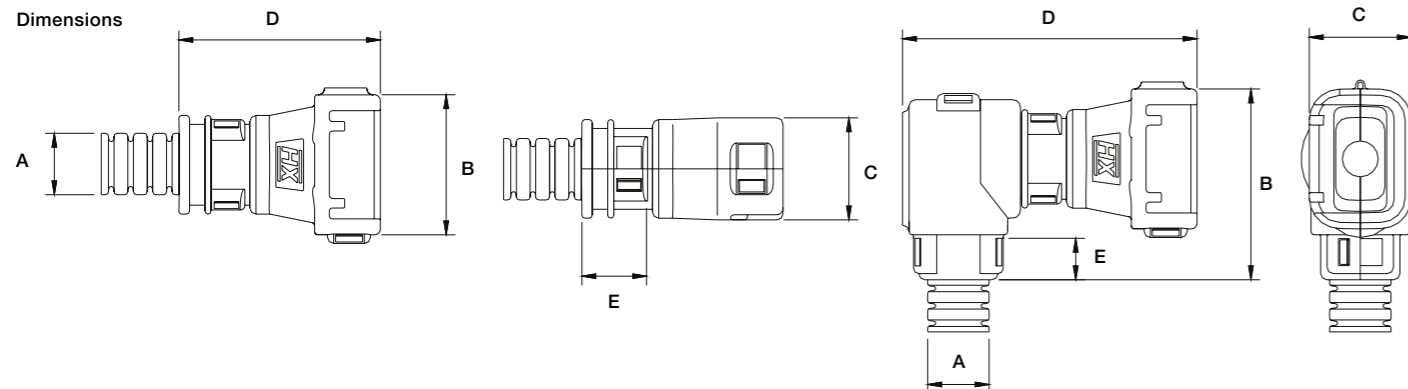
Part No.	Conduit Size		Nominal Dimensions			
	NC	NW	B	C	D	E
FCI Automotive Apex 2.8 90° Elbow Swivel Interface						
CI08-90-FCI02	08	7.5	31mm	19mm	48mm	10mm
CI08-90-FCI03	08	7.5	35mm	19mm	49mm	10mm
CI08-90-FCI04	08	7.5	38mm	19mm	49mm	10mm
CI12-90-FCI02	12	10	32mm	19mm	48mm	10mm
CI12-90-FCI03	12	10	37mm	19mm	49mm	10mm
CI12-90-FCI04	12	10	38mm	19mm	49mm	10mm
CI16-90-FCI14	16	13	38mm	24mm	57mm	10mm
CI08-90-FCS02	16	13	30mm	19mm	33mm	10mm



Approvals

CE Mark to the Low Voltage Directive
RoHS Compliant to 2011/65/EU
Conforms with **End of Life Vehicle directive (ELV) EU200/53/EC**

IP Rating	Appropriate Conduit	Fire Performance	Temperature Range
For use with: All conduits in the Harnessflex range			
IP40	Yes	Self Extinguishing	-40°C to +120°C
IP67	N/A	Low Smoke Toxicity	UV Resistance Very High
IP68	N/A	Halogen Free	



External hinged connector interfaces

Bosch Compact



Bosch Compact
Straight & 90° Elbow Swivel Interface

Bosch Compact Interface - External Hinged Connector Interface

Single junction, straight and 90° elbow interfaces providing high integrity connections between various Bosch Compact connectors and Harnessflex conduit systems. These interfaces are designed to snap together over all types of Harnessflex slit and unslit conduit, maintaining maximum conduit bore. In addition, 90° elbow versions allow the conduit to swivel 360° around the connector housing.

Part No.	Conduit Size		Nominal Dimensions				Interface Reference	Connector Reference
	NC	NW	A	B	C	D		
Bosch Compact Straight Interface								
CI08-BC2	08	7.5	25.0mm	21.3mm	18mm	10mm	2 Way	1 928 403 137*
CI08-BC3	08	7.5	25.0mm	26.7mm	18mm	10mm	3 Way	1 928 403 110*
CI08-BC4	08	7.5	25.0mm	29.0mm	18mm	10mm	4 Way	1 928 403 112*
CI12-BC2	12	10	25.0mm	21.3mm	18mm	10mm	2 Way	1 928 403 137*
CI12-BC3	12	10	25.0mm	26.7mm	18mm	10mm	3 Way	1 928 403 110*
CI12-BC4	12	10	25.0mm	29.0mm	18mm	10mm	4 Way	1 928 403 112*
CI28-BC40	28	23	44.4mm	40.0mm	-	-	40 Way	-

*All Bosch Kompact variants

Part No.	Conduit Size		Nominal Dimensions				Interface Reference	Connector Reference
	NC	NW	A	B	C	D		
Bosch Compact 90° Elbow Swivel Interface								
CI08-90-BC2	08	7.5	33.3mm	30.3mm	20.5mm	10mm	2 Way	1 928 403 137*
CI08-90-BC3	08	7.5	33.3mm	30.3mm	26.7mm	10mm	3 Way	1 928 403 110*
CI08-90-BC4	08	7.5	37.0mm	30.3mm	33.0mm	10mm	4 Way	1 928 403 112*
CI12-90-BC2	12	10	33.3mm	30.3mm	20.5mm	10mm	2 Way	1 928 403 137*
CI12-90-BC3	12	10	33.3mm	30.3mm	26.7mm	10mm	3 Way	1 928 403 110*
CI12-90-BC4	16	13	37.0mm	30.3mm	33.0mm	10mm	4 Way	1 928 403 112*

*All Bosch Kompact variants



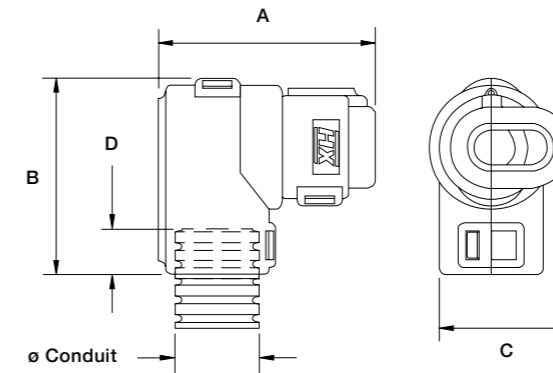
Approvals

CE Mark to the Low Voltage Directive
RoHS Compliant to 2011/65/EU
Conforms with **End of Life Vehicle directive (ELV) EU200/53/EC**

IP Rating	Appropriate Conduit	Fire Performance	Temperature Range
For use with: All conduits in the Harnessflex range			
IP40	Yes	Self Extinguishing	-40°C to +120°C
IP67	N/A	Low Smoke Toxicity	UV Resistance Very High
IP68	N/A	Halogen Free	

Dimensions

External 90° elbow connector interface



Dimensions

External straight connector interface

