

HX Interfaces

HX 93286 Series external split connector interface



HX 93286 Series
Straight & 90° Elbow HX Interface

HX 93286 Series - HX Interface

Split type customised interfaces providing high integrity connections to the Molex SRC series of connectors and Harnessflex conduit systems. The system offers connections to all types of slit and un-slit Harnessflex conduit systems multiple configurations both straight and at right angles to the connector to offer the maximum flexibility and space utilisation for harness design. Additionally, using the male type fitting the interface can be connected to Harnessflex hinged JPS, EPS, YPS and TPS fitting for multiple cable configuration outlet options. The interfaces provide a cable routing solution whilst also offering mechanical, abrasion and jet washing protection for both the connector and cabling.

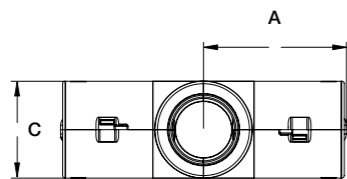
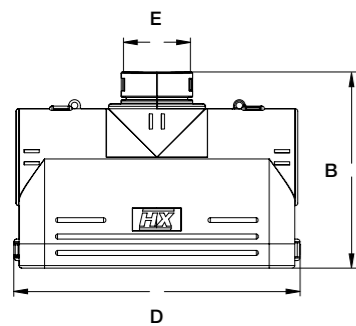
Straight Interface Part No.	Conduit Size (E)		Nominal Dimensions			
	NC	NW	A	B	C	D
HX 93286 Straight Interface						
CI28-MX93286	28	23	56.6mm	77.5mm	38.3mm	113.2mm
CI32-MX93286	32	29	56.6mm	77.5mm	38.3mm	113.2mm
CI40-MX93286	40	36	56.6mm	83.3mm	46.8mm	113.2mm

NOTE: Other configurations available on request

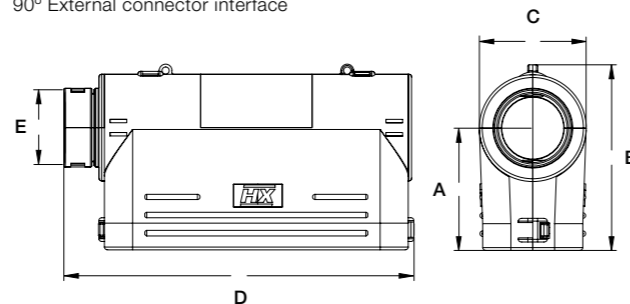
90°Elbow Interface Part No.	Conduit Size (E)		Nominal Dimensions			
	NC	NW	A	B	C	D
HX 93286 90° Elbow Interface						
M28-90-MX93286	-	-	43.8mm	66.6mm	38.3mm	125.6mm
CI28-90-MX93286	28	23	43.8mm	66.6mm	38.3mm	125.6mm
CI32-90-MX93286	32	29	43.8mm	66.6mm	38.3mm	125.6mm
CI40-90-MX93286	40	36	43.8mm	68.5mm	46.8mm	131.4mm

NOTE: Other configurations available on request

Dimensions
External connector interface



Dimensions
90° External connector interface



1 Split external design

Unrestricted bore and quick assembly no tools required.

2 Multiple Configuration options

Provides the right conduit and outlet position option.

3 High strength

Provides protection and security for connector and cable outlet options without the need for short conduit joints.

Special customised products

Kostal Hinged Interface



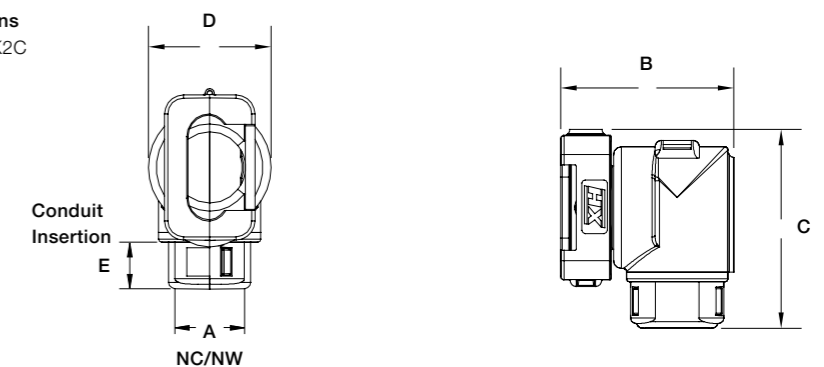
Kostal Hinged Interface
Special Customised Product

Kostal Hinged Interface - Special Customised Product

Clip-on elbow interface for Kostal in-line connector.

Part No.	Conduit Size (A)		Nominal Dimensions			
	NC	NW	B	C	D	E
Kostal 90° Elbow Swivel Interface						
CI08-90-K2C	08	7.5	27.4mm	30.0mm	19.5mm	10mm
CI08-90-K3C	08	7.5	27.4mm	31.4mm	19.5mm	10mm
CI12-90-K2C	12	10	27.4mm	31.0mm	19.5mm	10mm
CI12-90-K3C	12	10	27.4mm	32.4mm	19.5mm	10mm

Dimensions
CI08-90-K2C



Part No.	Conduit Size (A)		Nominal Dimensions			
	NC	NW	B	C	D	E
Kostal Straight Interface						
CI16-LK20	16	13	51mm	28mm	34mm	10mm

Part No.	Thread Type	Thread Length	Nominal Dimensions	
			A/F	I.D
PG Thread LK20				
PG21-LK20	PG21	12.2mm	37.8mm	22.6mm

Part No.	Conduit Size (A)		Nominal Dimensions			
	NC	NW	B	C	D	E
CI08-SLK28-3	8	7.5	51mm	28mm	34mm	10mm

Dimensions
CI16-LK20

