

# Sealed fittings 90° Elbow



90° Elbow Sealed Fitting

## 90° Elbow - Sealed Fittings

90° compression type fitting incorporating fixed or swivel male threads to provide connection to knockouts and threaded entries. These fittings are designed for use with all types of unslit Harnessflex conduit, maintaining maximum conduit bore.

## 90° Elbow (Metric version) - Sealed Fittings

Elbow Body Part No.	Cap Nut	Sealing Bush	Face Sealing Washer	Conduit Size		Thread Size	A	B	C	Min Bore D	Thread E	F	G	H
				NC	NW									
AB16-M16-90	CN11	SRN11	SWM16	16	13	M16 x 1.5mm	46mm	12mm	26mm	15mm	M16 x 1.5mm	22mm	48mm	17mm
AB16-M20-90	CN11	SRN11	SWM20	16	13	M20 x 1.5mm	46mm	13mm	26mm	15mm	M20 x 1.5mm	27mm	49mm	17mm
AB20-M20-90	CN16	SRN16	SWM20	20	17	M20 x 1.5mm	47mm	13mm	31mm	15mm	M20 x 1.5mm	27mm	51mm	20mm
AB25-M25-90	CN21	SRN21	SWM25	25	22	M25 x 1.5mm	56mm	15mm	39mm	20mm	M25 x 1.5mm	33mm	62mm	21mm
AB25-M25-90	CN28	SRN28	SWM25	25	23	M25 x 1.5mm	56mm	15mm	39mm	20mm	M25 x 1.5mm	33mm	62mm	21mm
AB32-M32-90	CN32	SRN29	SWM32	32	29	M32 x 1.5mm	66mm	16mm	46mm	26mm	M32 x 1.5mm	40mm	76mm	27mm
AB40-M40-90	CN36	SRN36	SWM40	40	36	M40 x 1.5mm	77mm	16mm	59mm	34mm	M40 x 1.5mm	48mm	93mm	35mm
AB50-M50-90	CN48	SRN48	SWM50	50	48	M50 x 1.5mm	94mm	16mm	72mm	40mm	M50 x 1.5mm	59mm	114mm	35mm

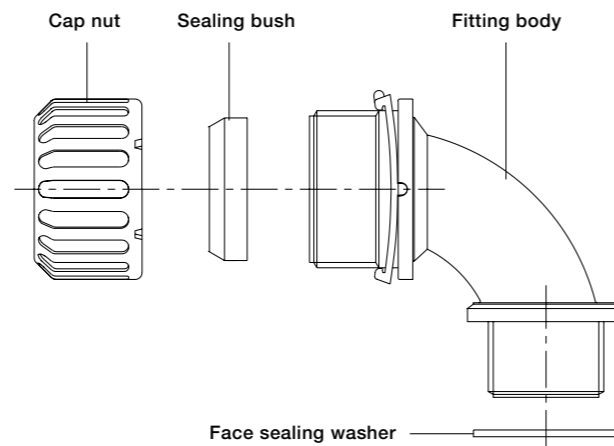
NOTE: Order elbow bodies, cap nuts, sealing bushes separately

NOTE: Dimensions refer to an overall assembly

## 90° Elbow (PG version) - Sealed Fittings

Elbow Body Part No.	Cap Nut	Sealing Bush	Face Sealing Washer	Conduit Size		Thread Size	A	B	C	Min Bore D	Thread E	F	G	H
				NC	NW									
AB12-PG09-90	CN07	SRN07	SWPG09	10	8.5	PG09	46mm	10mm	23mm	11mm	PG09	22mm	44mm	17mm
AB12-PG09-90	CN09	SRN09	SWPG09	12	10	PG09	46mm	10mm	23mm	11mm	PG09	22mm	44mm	17mm
AB16-PG11-90	CN11	SRN11	SWPG11	16	13	PG11	46mm	10mm	26mm	14mm	PG11	25mm	46mm	17mm
AB20-PG16-90	CN16	SRN16	SWPG16	20	17	PG16	46mm	12mm	31mm	15mm	PG16	28mm	50mm	20mm
AB25-PG21-90	CN21	SRN21	SWPG21	25	22	PG21	56mm	12mm	39mm	22mm	PG21	36mm	59mm	21mm
AB25-PG21-90	CN28	SRN21	SWPG21	28	23	PG21	56mm	12mm	39mm	22mm	PG21	36mm	59mm	21mm
AB32-PG29-90	CN32	SRN29	SWPG29	32	29	PG29	66mm	12mm	46mm	29mm	PG29	44mm	72mm	27mm

NOTE: Order elbow bodies, cap nuts, sealing bushes and face sealing washers separately



## 90° Elbow (Swivel Metric version) - Sealed Fittings

Elbow Body Part No.	Cap Nut	Sealing Bush	Face Sealing Washer	Conduit Size		Thread Size	A	B	C	Min Bore D	Thread E	A/F Size F	G	H
				NC	NW									
ABS12-M16-90	CN07	SRN07	SWM16	10	8.5	M16 x 1.5mm	45mm	12mm	23mm	12mm	M16 x 1.5mm	24mm	45mm	17mm

NOTE: Order elbow bodies, cap nuts, sealing bushes and face sealing washers separately  
Other thread options available including PF, PG, NPT and UNEF - contact us for further information



### Approvals

ADR Approved (NC conduits ONLY)

CE Mark to the Low Voltage Directive

RoHS Compliant to 2011/65/EU

Conforms with End of Life Vehicle

directive (ELV) EU200/53/EC

### IP Rating

For use with: All conduits in the Harnessflex range

IP40

IP67

IP68

### Appropriate Conduit

N/A

Yes

Yes (2 bar 30mins)

### Fire Performance

Self Extinguishing

Low Smoke Toxicity

Halogen Free

### Temperature Range

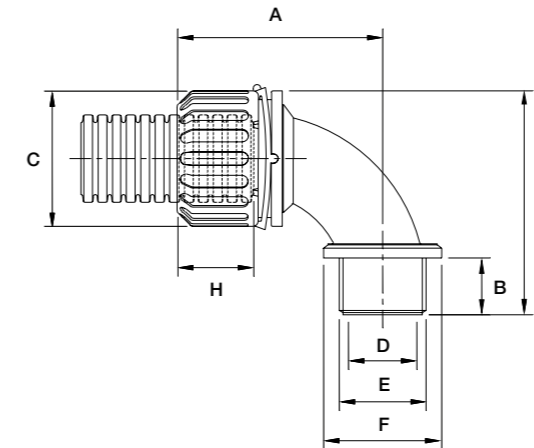
-40°C to +150°C

### UV Resistance

Very High

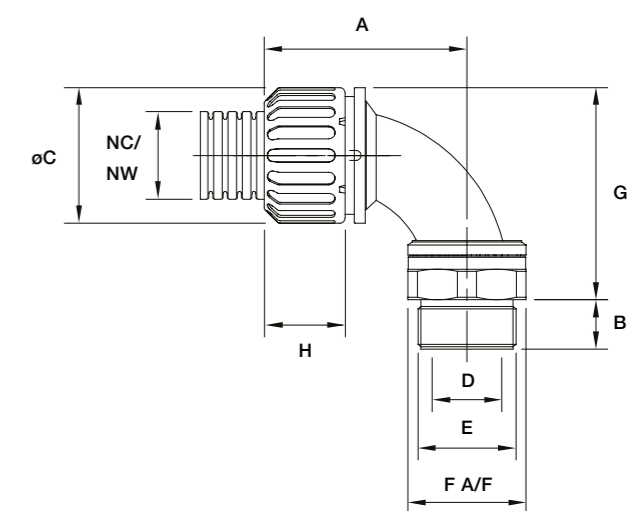
### Dimensions

90° Elbow fitting



### Dimensions

90° Elbow swivel fitting



### 1 IP66, IP67 & IP68 Sealing

SRN sealing bush protects against ingress of water and dust.

### 2 Cap-nut retention ring

Ensures integrity of assembly under extreme vibration (suits NC10-32 size elbows).

### 3 90° Swept elbow

Avoids cable damage and abrasion.

### 4 Choice of threads

Available with Metric, PG fixed male threads and optional face sealing washer.

