

Sealed fittings 90° Flange



90° Flange - Sealed Fittings

90° elbow compression type fitting providing a 4 hole panel mounting facility. These fittings are designed for use with all types of unslit Harnessflex conduit, maintaining maximum conduit bore.

Flange Body Part No.	Cap Nut	Sealing Bush	Conduit Size	
			NC	NW
AB32-F90	CN32	SRN29	32	29
AB40-F90	CN36	SRN36	40	36
AB50-F90	CN48	SRN48	50	48

NOTE: Order flange bodies, cap nuts and sealing bushes separately

Flange Body Part No.	Nominal dimensions										
	A	B	C	D	E	F	G	H	I	J	
AB32-F90	66mm	54mm	46mm	36mm	95mm	36mm	17mm	63mm	53mm	27mm	
AB40-F90	86mm	73mm	63mm	46mm	115mm	30mm	27mm	77mm	64mm	35mm	
AB50-F90	86mm	73mm	73mm	59mm	125mm	30mm	30mm	86mm	77mm	35mm	

NOTE: Dimensions refer to an overall assembly

5
90° Flange
Sealed Fitting



Approvals

ADR Approved (NC conduits ONLY)

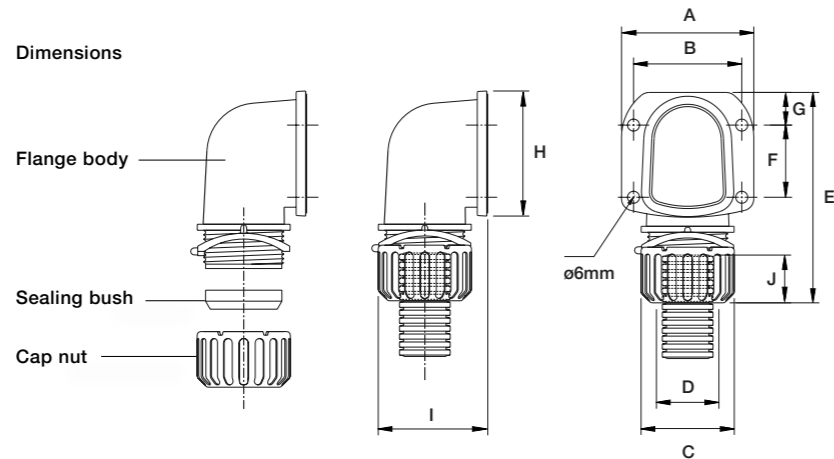
CE Mark to the Low Voltage Directive

RoHS Compliant to 2011/65/EU

Conforms with **End of Life Vehicle directive (ELV) EU200/53/EC**

IP Rating	Appropriate Conduit	Fire Performance	Temperature Range
IP40	N/A	Self Extinguishing	-40°C to +150°C
IP67	Yes	Low Smoke Toxicity	
IP68	Yes (2 bar 30mins)	Halogen Free	
			UV Resistance
			Very High

Dimensions



- 1 IP67 Sealing bush**
Protects against the ingress of water and dust.
- 2 Cap-nut retention ring**
Ensures integrity of assembly under extreme vibration.
- 3 90° Flange design**
Avoids cable damage and abrasion.
- 4 Integral O ring face seal**
Provides seal between panel / bulkhead and fitting.



Sealed fittings T-piece



T-piece
Sealed Fitting

T-piece - Sealed Fittings

Symmetrical, 3 junction compression type fittings providing a variety of conduit size configurations. These fittings are designed for use with all types of unslit Harnessflex conduit, maintaining maximum conduit bore.

T-piece with Bracket Part No.	T-piece No Bracket Part No.	Cap Nut	Sealing Bush	Conduit Size						Nominal Dimensions				
				NC			NW			D	E	F	G	H
-	TP12	CN07	SRN07	10	10	10	8.5	8.5	8.5	68mm	50mm	39mm	27mm	17mm
-	TP12	CN09	SRN09	12	12	12	10	10	10	68mm	50mm	39mm	27mm	17mm
-	TP16	CN11	SRN11	16	16	16	13	13	13	69mm	51mm	38mm	31mm	17mm
TPB20	TP20	CN16	SRN16	20	20	20	17	17	17	80mm	58mm	43mm	35mm	20mm
TPB28	TP28	CN21	SRN21	25	25	25	22	22	22	95mm	71mm	52mm	43mm	21mm
TPB28	TP28	CN28	SRN28	28	28	28	23	23	23	95mm	71mm	52mm	43mm	21mm
TPB32	-	CN32	SRN29	32	32	32	29	29	29	109mm	84mm	61mm	51mm	27mm

NOTE: Order T-piece bodies, cap nuts and sealing bushes separately. Dimensions refer to an overall assembly



Approvals

ADR Approved (NC conduits ONLY)

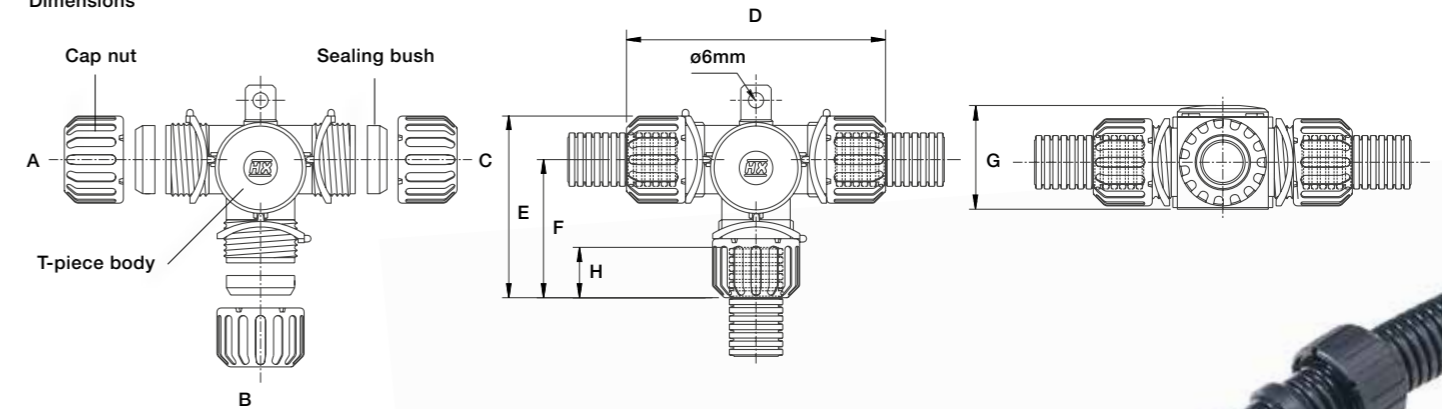
CE Mark to the Low Voltage Directive

RoHS Compliant to 2011/65/EU

Conforms with **End of Life Vehicle directive (ELV) EU200/53/EC**

IP Rating	Appropriate Conduit	Fire Performance	Temperature Range
IP40	N/A	Self Extinguishing	-40°C to +150°C
IP67	Yes	Low Smoke Toxicity	
IP68	Yes (2 bar 30mins)	Halogen Free	
			UV Resistance
			Very High

Dimensions



- 1 IP67 Sealing bush**
Protects against the ingress of water and dust.
- 2 Cap-nut retention ring**
Ensures integrity of assembly under extreme vibration.
- 3 Smooth contoured internal form**
Protects cables from damage during installation.
- 4 Integral mounting bracket**
Provides secure external fixing point.
- 5 Removable IP67 inspection lid**
Provides easy access to cables during installation.

