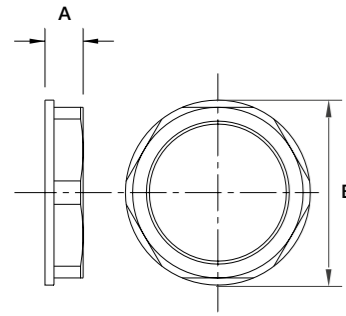


# Accessories

## Locknuts & Face sealing washers

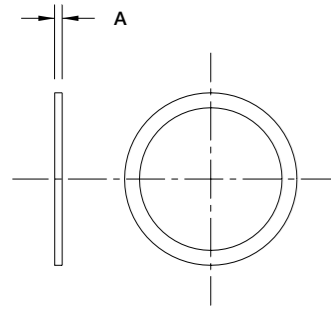
### Dimensions



### Locknut

Part No.	Thread size	A	B (A/F)	Part No.	Thread size	A	B (A/F)
LNP-M16	M16 x 1.5mm	7mm	19mm	LNP-PG07	PG07	5mm	19mm
LNP-M20	M20 x 1.5mm	8mm	23mm	LNP-PG09	PG09	5mm	22mm
LNP-M25	M25 x 1.5mm	9mm	28mm	LNP-PG11	PG11	5mm	24mm
LNP-M32	M32 x 1.5mm	9mm	36mm	LNP-PG13	PG13.5	6mm	27mm
LNP-M40	M40 x 1.5mm	10mm	46mm	LNP-PG16	PG16	6mm	30mm
LNP-M50	M50 x 1.5mm	10mm	60mm	LNP-PG21	PG21	7mm	36mm
				LNP-PG29	PG29	7mm	46mm
				LNP-PG36	PG36	9mm	56mm
				LNP-PG48	PG48	9mm	59mm

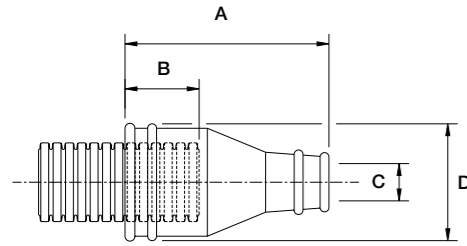
### Dimensions



### Face Sealing Washer

Part No.	Thread	A	Part No.	Thread size	A
SWM16	M16	1.5mm	SWPG07	PG07	1.2mm
SWM20	M20	1.5mm	SWPG09	PG09	1.2mm
SWM25	M25	1.5mm	SWPG11	PG11	1.2mm
SWM32	M32	1.5mm	SWPG13	PG13.5	1.2mm
SWM40	M40	1.5mm	SWPG16	PG16	1.2mm
SWM50	M50	1.5mm	SWPG21	PG21	1.2mm
			SWPG29	PG29	1.2mm
			SWPG36	PG36	1.2mm
			SWPG48	PG48	1.2mm

### Dimensions



### End Sleeve

Part No.	Conduit Size		Outlet Dia. Range (C)	Nominal Dimensions		
	NC	NW		A	B	D
ESN12	12	10	4 - 8mm	28mm	17mm	19mm
ESN16	16	13	5 - 9mm	35mm	17mm	23mm
ESN20	20	17	7 - 14mm	42mm	20mm	28mm
ESN25	25	22	9 - 17mm	50mm	21mm	31mm
ESN28	28	23	14 - 22mm	50mm	21mm	34mm
ESN32	32	29	16 - 32mm	53mm	27mm	40mm
ESN40	40	36	16 - 30mm	56mm	35mm	50mm

#### 1 Integral cable tie grooves

With twin location points to assist fixing to conduit or connector.

#### 2 Internal location lip

Provides internal protection during cable installation.

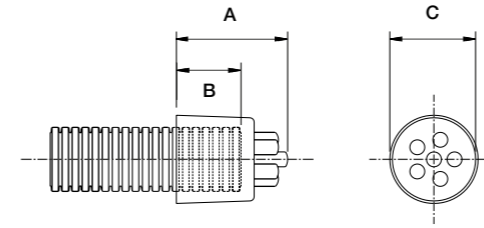
#### 3 Multiple cable carrying capacity

Provides cable breakout facility in situations where sealing is not required.

### End Cap

Part No.	Conduit Size		Outlet Dia. Range	Nominal Dimensions		
	NC	NW		A	B	C
EK03-08	08	7.5	3mm	19mm	13mm	14mm
EK03-08	10	8.5	3mm	19mm	13mm	14mm
EK05	12	10	5mm	22mm	14mm	17mm

### Dimensions

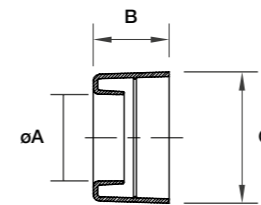


### Smooth End Cap

Part No.	Conduit Size		Nominal Dimensions		
	NC	NW	A	B	C
CES12	12	10	8.0mm	15mm	16mm
CES16	16	13	9.5mm	15mm	18mm
CES20	20	17	13.5mm	18mm	25mm
CES28	28	23	20.5mm	20mm	32mm
CES32	32	29	25.7mm	20mm	38mm

NOTE: Push in one piece fitting leaving a smooth exit from conduit when fittings not used

### Dimensions



#### 1 Swivel capability

Converts sealed fittings into freely rotating IP40 fittings for dynamic applications.

#### 2 High pull-off strength

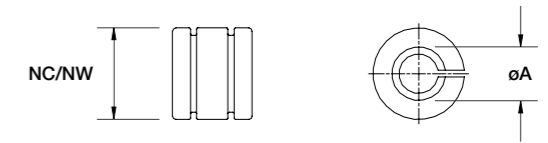
Split C ring design sits tightly into conduit corrugations.

### Smooth Entry Grommet

Part No.	Conduit Size		A
	NC	NW	
SEG12	12	10	8mm
SEG20	20	17	16mm
GROM08	08	7.5	8mm
GROM12	12	10	12mm

NOTE: Smoothbore. One piece slit insert providing abrasion protection for cables passing through a hinged junction where conduit is not used

### Dimensions



### Swivel C Ring

Part No.	Conduit Size	
	NC	NW
SC16HX	16	13
SC20HX	20	17
SC28HX	28	23
SC32HX	32	29
SC40HX	40	36
SC50HX	50	48

NOTE: Replaces SRN seal to provide a rotating joint

### Dimensions

