

## Accessories Conduit clip



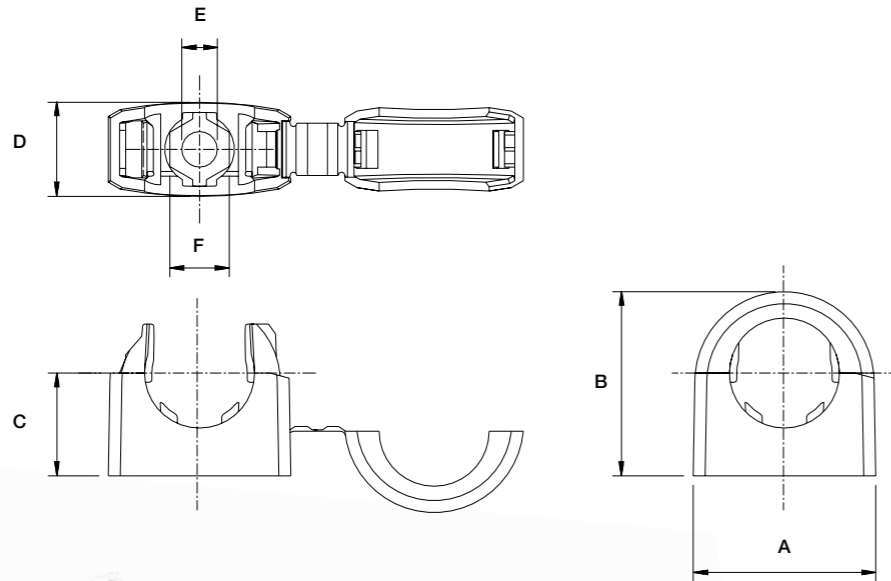
Conduit Clip

### Conduit Clip

One piece non-metallic conduit clips providing secure mounting points for Harnessflex conduit systems. These fittings are designed to snap together over all types of Harnessflex slit and unslit conduit.

Part No.	Conduit Size		Nominal Dimensions				Fixing Hole Size E	A/F Counter Bore Size F
	NC	NW	A	B	C	D		
HCB08	08	7.5	23mm	23mm	13mm	12mm	4mm	8mm
HCB12	12	10	23mm	23mm	13mm	12mm	4mm	8mm
HCB16	16	13	27mm	27mm	15mm	14mm	5mm	9mm
HCB20	20	17	34mm	35mm	20mm	18mm	6mm	10mm
HCB28	28	23	44mm	44mm	23mm	21mm	6mm	10mm
HCB32	32	29	53mm	52mm	27mm	23mm	6mm	10mm
HCB40	40	36	65mm	63mm	32mm	27mm	6mm	10mm
HCB50	50	48	81mm	77mm	39mm	32mm	6mm	10mm

### Dimensions



#### 1 One-piece design

Overcentre facility holds conduit securely in place during harness fabrication.

#### 2 Internal conduit location step

Prevents lateral movement of conduit even when lid is open.

#### 3 Integral hinged lid

Provides added security when closed and can be removed if not required.

#### 4 Integral fixing hole

Provides centre location point with hexagonal counter-bore for use with captive nuts.

## Accessories Metallic P-clip & Modular conduit clip



Metallic P-clip

### Metallic P-clip

One-piece, metallic P-clips providing secure mounting points for conduit systems within a harness installation. These clips are designed to accommodate all Harnessflex slit and unslit conduits.

**Materials:** Galvanised steel with rubberised insert

Part No.	Conduit Size		Fixing Hole Size				
	NC	NW	A	B	C	D	E
PCS10	10	8.5	31mm	13mm	5mm	16mm	1.5mm
PCS12	12	10	33mm	13mm	5mm	17mm	1.5mm
PCS16	16	13	36mm	13mm	5mm	19mm	1.5mm
PCS20	20	17	41mm	13mm	5mm	21mm	1.5mm
PCS25	25	22	45mm	13mm	5mm	23mm	1.5mm
PCS32	32	29	53mm	13mm	5mm	27mm	1.5mm

### Dimensions

