

External hinged connector interfaces

Ampseal 16



AMPSEAL 16
Straight & 90° Elbow Swivel Interface

Ampseal 16 Interface - External Hinged Connector Interface

A range of straight and 90° elbow interfaces offering a compact and high integrity connection between Ampseal automotive connectors and Harnessflex conduit systems. These interfaces provide complete cable protection right up to the connector. They also provide strain relief and protection from high pressure washing, helping to maintain the sealing integrity of the connector. The 90° elbow allows the conduit to swivel 360° around the connector housing. These fittings are designed to snap together over all types of Harnessflex slit and unslit conduit, maintaining maximum conduit bore.

Part No.	Conduit Size		Nominal Dimensions				Interface Reference	Connector Reference
	NC	NW	B	C	D	E		
Ampseal 16 Straight Interface								
CI08-AT2PL	08	7.5	23mm	18mm	34mm	12mm	2 Way	776427-1*
CI08-AT3PL	08	7.5	28mm	18mm	33mm	11mm	3 Way	776427-1*
CI08-AT4PL	08	7.5	29mm	23mm	39mm	13mm	4 Way	776487-1*
CI12-AT4PL	12	10	29mm	23mm	37mm	11mm	4 Way	776487-1*
CI12-AT6PL	12	10	29mm	23mm	37mm	11mm	6 Way	776433-1*
CI12-AT8PL	12	10	32mm	23mm	37mm	11mm	8 Way	776494-1*
CI12-AT12PL	12	10	41mm	23mm	37mm	11mm	12 Way	776494-1*
CI16-AT8PL	16	13	32mm	23mm	37mm	11mm	8 Way	776494-1
CI16-AT12PL	16	13	41mm	23mm	37mm	11mm	12 Way	776494-1*

*All Colour and Wire variants

Part No.	Conduit Size		Nominal Dimensions				Interface Reference	Connector Reference
	NC	NW	B	C	D	E		
Ampseal 16 90° Elbow Interface - Standard Profile Plugs								
CI08-90-AT2PL	08	7.5	49mm	32mm	20mm	7.1mm	2 Way	776427-1*
CI08-90-AT3PL	08	7.5	49mm	34mm	20mm	7.1mm	3 Way	776427-1*
CI08-90-AT4PL	08	7.5	53mm	34mm	23mm	7.1mm	4 Way	776487-1*
CI12-90-AT2PL	12	10	49mm	32mm	20mm	7.1mm	2 Way	776427-1*
CI12-90-AT3PL	12	10	49mm	34mm	20mm	7.1mm	3 Way	776427-1*
CI12-90-AT4PL	12	10	53mm	35mm	23mm	7.1mm	4 Way	776487-1*

*All Colour and Wire variants



Approvals

CE Mark to the Low Voltage Directive

RoHS Compliant to 2011/65/EU

Conforms with End of Life Vehicle

directive (ELV) EU200/53/EC

Part No.	Conduit Size		Nominal Dimensions				Interface Reference	Connector Reference
	NC	NW	B	C	D	E		
Ampseal 16 90° Elbow Interface - Low Profile Plugs & Receptacles								
CI08-90-AT2LP	08	7.5	37.3mm	25.0mm	17.0mm	7.1mm	2 Way	776427-1*
CI08-90-AT2LR	08	7.5	37.3mm	25.0mm	20.0mm	7.1mm	2 Way	-
CI08-90-AT3LP	08	7.5	39.8mm	29.0mm	17.1mm	7.1mm	3 Way	776427-1*
CI08-90-AT3LR	08	7.5	39.8mm	29.0mm	17.1mm	7.1mm	3 Way	-
CI08-90-AT4LP	08	7.5	40.8mm	29.4mm	20.6mm	7.1mm	4 Way	776487-1*
CI08-90-AT4LR	08	7.5	40.8mm	29.4mm	20.6mm	7.1mm	4 Way	-
CI08-90-AT6LP	08	7.5	42.8mm	29.4mm	22.5mm	7.1mm	6 Way	776433-1*
CI08-90-AT6LR	08	7.5	42.8mm	29.4mm	22.5mm	7.1mm	6 Way	-

NOTE: LP = Plug, LR = Receptacle

*All Colour and Wire variants

Part No.	Conduit Size		Nominal Dimensions				Interface Reference	Connector Reference
	NC	NW	B	C	D	E		
Ampseal 16 90° Elbow Interface - Low Profile Plugs & Receptacles								
CI12-90-AT2LP	12	10	38.0mm	23.0mm	20.0mm	7.1mm	2 Way	776427-1*
CI12-90-AT2LR	12	10	38.0mm	23.0mm	20.0mm	7.1mm	2 Way	-
CI12-90-AT3LP	12	10	40.2mm	27.1mm	17.1mm	7.1mm	3 Way	776427-1*
CI12-90-AT3LR	12	10	40.2mm	27.1mm	17.1mm	7.1mm	3 Way	-
CI12-90-AT4LP	12	10	41.1mm	27.5mm	20.6mm	7.1mm	4 Way	776487-1*
CI12-90-AT4LR	12	10	41.1mm	27.5mm	20.6mm	7.1mm	4 Way	-
CI12-90-AT6LP	12	10	43.1mm	27.5mm	22.5mm	7.1mm	6 Way	776433-1*
CI12-90-AT6LR	12	10	43.1mm	27.5mm	22.5mm	7.1mm	6 Way	-

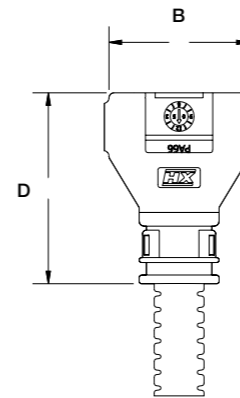
NOTE: LP = Plug, LR = Receptacle

*All Colour and Wire variants

IP Rating	Appropriate Conduit	Fire Performance	Temperature Range
For use with: All conduits in the Harnessflex range		Self Extinguishing	-40°C to +120°C
IP40	Yes	Low Smoke Toxicity	
IP67	N/A	Halogen Free	UV Resistance
IP68	N/A		Very High

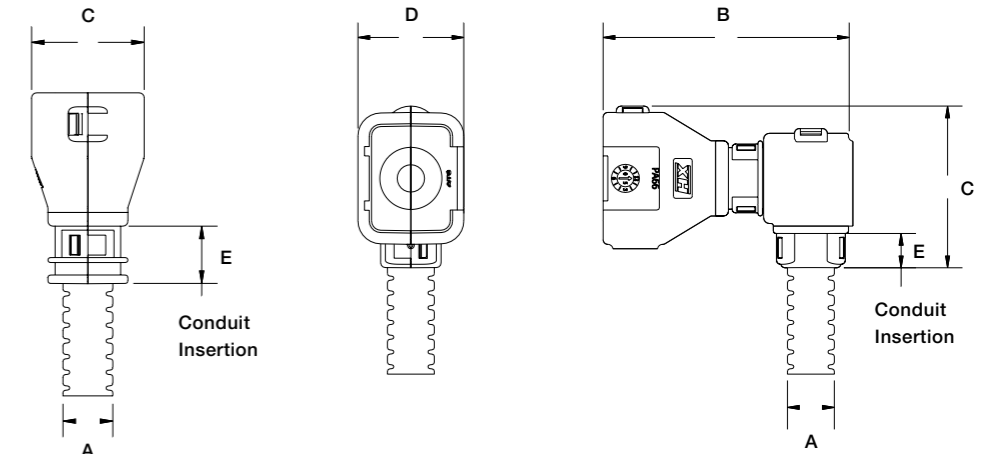
Dimensions

External straight connector interface



Dimensions

External 90° elbow connector interface



1 High pull-off strength

Conduit corrugations locate securely providing high pull off strength.

2 Conduit size labels

Each junction indicates nominal conduit size to aid installation.

3 Straight or 90° elbow versions

Compact design ideal for use where space is limited.

4 Swivel elbows

Allowing 360 degree rotation for ease of routing.