

External hinged connector interfaces

Delphi Series external hinged connector interfaces



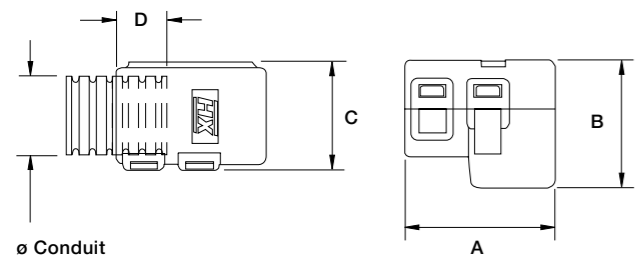
Delphi Series Straight Interfaces

Delphi Series Interface - External Hinged Connector Interface

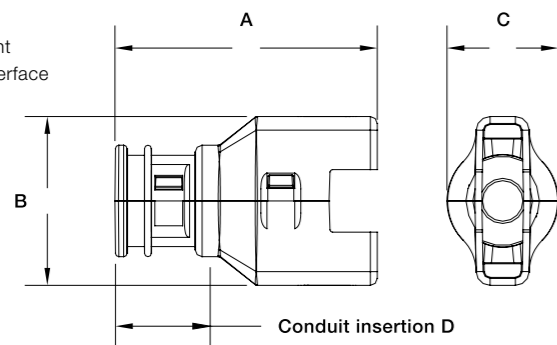
Straight and 90° elbow interfaces providing high integrity connections between various Delphi series connectors and Harnessflex conduit systems. These interfaces are designed to snap together over all types of Harnessflex slit and unslit conduit, maintaining maximum conduit bore. In addition, 90° elbow versions allow the conduit to swivel 360° around the connector housing.

Part No.	Conduit Size		Nominal Dimensions			
	NC	NW	A	B	C	D
Delphi Series Straight Interface						
CI08-DE001	08	7.5	18.0mm	17.0mm	17.0mm	6.0mm
CI08-MP2	08	7.5	20.0mm	16.0mm	28.9mm	12.3mm
CI08-MP3	08	7.5	43.0mm	20.0mm	28.0mm	10.0mm
C108-MMP2	08	7.5	30.0mm	17.0mm	18.0mm	10.0mm
CI08-WP2	08	7.5	31.3mm	16.1mm	28.3mm	10.0mm
CI08-PTD2	08	7.5	20.2mm	20.5mm	18.0mm	14.7mm
CI08-GT153	08	7.5	38.0mm	24.0mm	16.0mm	10.0mm
16-GT284	16	13	37.3mm	21.3mm	40.0mm	29.5mm

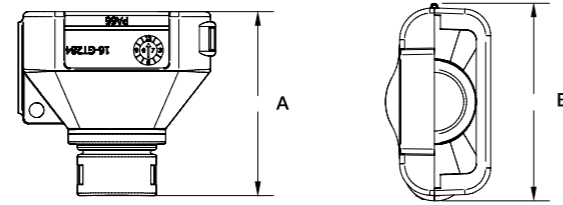
Dimensions External straight connector interface



Dimensions GT153 straight connector interface



Dimensions GT284 straight connector interface



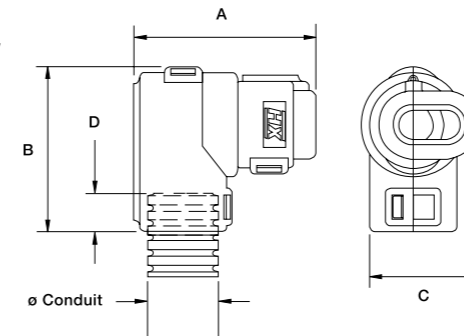
Delphi Series 90° Elbow Swivel Interfaces

Dimensions External 90° elbow connector interface

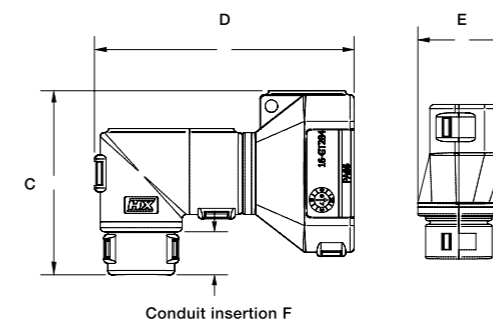


Approvals
CE Mark to the Low Voltage Directive
RoHS Compliant to 2011/65/EU
 Conforms with **End of Life Vehicle directive (ELV) EU200/53/EC**

Dimensions External elbow connector interface



Dimensions GT284 elbow connector interface



Part No.	Conduit Size		Nominal Dimensions			
	NC	NW	B	C	D	E
Delphi Series 90° Elbow Swivel Interface						
CI08-90-DE001	08	7.5	32.0mm	30.0mm	17.5mm	7.3mm
CI08-90-MP2	08	7.5	35.0mm	42.0mm	29.5mm	7.3mm
CI08-90-MP3	08	7.5	56.9mm	30.0mm	20.0mm	10.0mm
C108-90-MMP2	08	7.5	45.0mm	30.0mm	19.0mm	7.3mm
CI12-90-MP2	12	10	20.0mm	42.0mm	30.5mm	7.3mm
CI12-90-MP3	12	10	56.9mm	31.0mm	20.0mm	10.0mm
CI12-90-MMP2	12	10	-	-	-	-
CI08-90-WP2	08	7.5	45.2mm	33.3mm	19.5mm	10.0mm
CI12-90-WP2	12	10	45.2mm	34.3mm	19.5mm	10.0mm
CI08-90-PTD2	08	7.5	33.8mm	30.0mm	22.0mm	10.0mm
CI12-90-PTD2	12	10	33.8mm	21.0mm	22.0mm	10.0mm
CI08-90-GT153	08	7.5	53.0mm	31.0mm	19.0mm	7.0mm
CI12-90-GT153	12	10	53.0mm	32.0mm	19.0mm	10.0mm
CI12-90-GT284	12	10	62.6mm	44.4mm	-	10.0mm
CI16-90-GT284	16	13	62.6mm	44.4mm	-	-

Part Reference	Connector System	
MP	Delphi Metri-Pack	To suit Metripack
MMP	Delphi Metri-Pack	To suit Metripack
WP	Delphi Weatherpack	To suit Weatherpack
PTD	Power Timer	
GT	Delphi GT Series 150 and 180	

IP Rating	Appropriate Conduit	Fire Performance	Temperature Range
For use with: All conduits in the Harnessflex range		Self Extinguishing	-40°C to +120°C
IP40	Yes	Low Smoke Toxicity	
IP67	N/A	Halogen Free	UV Resistance
IP68	N/A		Very High

Dimensions GT153 elbow connector interface

