

TempGuard external hinged connector interfaces Ampseal 16



AMPSEAL 16
High Temperature Straight
& 90° Elbow Interface

Ampseal 16 - High Temperature External Hinged Connector Interface

A range of straight and 90° elbow fittings offering a compact and high integrity connection between Ampseal automotive connectors and Harnessflex conduit systems. These interfaces provide complete cable protection right up to the connector. They also provide strain relief and protection from high pressure washing, helping to maintain the sealing integrity of the connector.

Part No.	Conduit Size		Nominal Dimensions				Interface Reference	Connector Reference
	NC	NW	B	C	D	E		
Ampseal 16 Straight Interface								
CIH08-AT2PL	08	7.5	23.0mm	18.0mm	34.0mm	12.0mm	2 Way	776427-1*
CIH08-AT3PL	08	7.5	28.0mm	18.0mm	33.0mm	11.0mm	3 Way	776427-1*
CIH08-AT4PL	08	7.5	29.0mm	23.0mm	39.0mm	13.0mm	4 Way	776487-1*
CIH12-AT4PL	12	10	29.0mm	23.0mm	37.0mm	11.0mm	4 Way	776487-1*
CIH12-AT6PL	12	10	29.0mm	23.0mm	37.0mm	11.0mm	6 Way	776433-1*
CIH12-AT8PL	12	10	32.0mm	23.0mm	37.0mm	11.0mm	8 Way	776494-1*
CIH12-AT12PL*	12	10	41.0mm	23.0mm	37.0mm	11.0mm	12 Way	
CIH16-AT8PL*	16	13	32.0mm	23.0mm	37.0mm	11.0mm	8 Way	
CIH16-AT12PL*	16	13	41.0mm	23.0mm	37.0mm	11.0mm	12 Way	
CIH20-AT20PL*	20	17	41.0mm	23.0mm	48.0mm	12.0mm	8 Way	

Part No.	Conduit Size		Nominal Dimensions				Interface Reference	Connector Reference
	NC	NW	B	C	D	E		
Ampseal 16 90° Elbow Interface								
CIH08-90-AT2LP	08	7.5	37.3mm	25.0mm	17.0mm	7.1mm	2 Way	776427-1*
CIH08-90-AT3LP	08	7.5	39.8mm	29.0mm	17.1mm	7.1mm	3 Way	776427-1*
CIH08-90-AT2PL	08	7.5	49.0mm	32.0mm	20.0mm	7.1mm	2 Way	776427-1*
CIH08-90-AT3PL	08	7.5	49.0mm	34.0mm	20.0mm	7.1mm	3 Way	776427-1*
CIH12-90-AT2LP	12	10	38.0mm	23.0mm	20.0mm	7.1mm	2 Way	776427-1*
CIH12-90-AT3LP	12	10	40.2mm	27.1mm	17.1mm	7.1mm	3 Way	776427-1*
CIH12-90-AT3LR	12	10	40.2mm	27.1mm	17.1mm	7.1mm	3 Way	-
CIH12-90-AT6LP	12	10	43.1mm	27.5mm	22.5mm	7.1mm	6 Way	776433-1*
CIH08-90-AT2LR*	08	7.5	37.3mm	25.0mm	20.0mm	7.1mm	2 Way	
CIH08-90-AT3LR*	08	7.5	39.8mm	29.0mm	17.1mm	7.1mm	3 Way	
CIH08-90-AT4LP*	08	7.5	40.8mm	29.4mm	20.6mm	7.1mm	4 Way	
CIH08-90-AT4LR*	08	7.5	40.8mm	29.4mm	20.6mm	7.1mm	4 Way	
CIH08-90-AT6LP*	08	7.5	42.8mm	29.4mm	22.5mm	7.1mm	6 Way	
CIH08-90-AT6LR*	08	7.5	42.8mm	29.4mm	22.5mm	7.1mm	6 Way	

NOTE: LP = Plug, LR = Receptacle

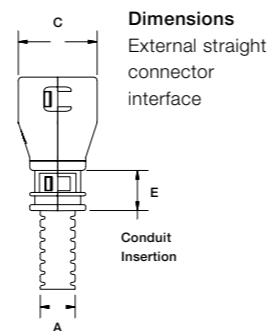
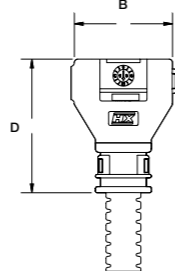
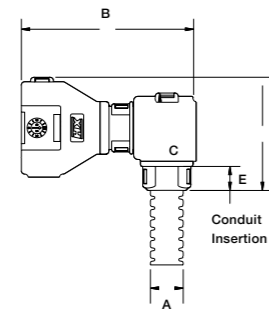
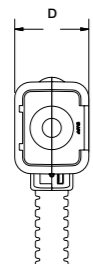
*Made to order - Part numbers listed are available to order but not stocked items, and would therefore be subject to manufacturing leadtime



Approvals
CE Mark to the Low Voltage Directive
RoHS Compliant to 2011/65/EU
 Conforms with **End of Life Vehicle directive (ELV) EU200/53/EC**

IP Rating	Appropriate Conduit	Fire Performance	Temperature Range
For use with: All conduits in the Harnessflex range			
IP40	Yes	Self Extinguishing	-40°C to +200°C
IP67	N/A	Low Smoke Toxicity	
IP68	N/A	Halogen Free	UV Resistance
		UL94 V2 / UL94 RTI 150 (Elec)	High

Dimensions
External 90° elbow connector interface



TempGuard external hinged connector interfaces Bosch Compact



Bosch Compact
High Temperature Straight
& 90° Elbow Interface

Bosch Compact - High Temperature External Hinged Connector Interface

Single junction straight and 90° elbow fittings providing high integrity, high temperature connection between Bosch Compact connectors and Harnessflex conduit systems in elevated temperature areas. In addition, 90° elbow versions allow the conduit to swivel 360° around the connector housing, sufficient to avoid the problems associated with one-piece interfaces of overflexing due to movement or vibration.

Part No.	Conduit Size		Nominal Dimensions				Interface Reference	Connector Reference
	NC	NW	A	B	C	D		
Bosch Compact Straight Interface								
CIH08-BC2	08	7.5	25.0mm	21.3mm	18.0mm	10.0mm	2 Way	1 928 403 137*
CIH08-BC3	08	7.5	25.0mm	26.7mm	18.0mm	10.0mm	3 Way	1 928 403 110*
CIH12-BC2	12	10	25.0mm	21.3mm	18.0mm	10.0mm	2 Way	1 928 403 137*
CIH12-BC3	12	10	25.0mm	26.7mm	18.0mm	10.0mm	3 Way	1 928 403 110*
CIH08-BC4*	08	7.5	25.0mm	29.0mm	18.0mm	10.0mm	4 Way	
CIH12-BC4*	12	10	25.0mm	29.0mm	18.0mm	10.0mm	4 Way	

Part No.	Conduit Size		Nominal Dimensions				Interface Reference	Connector Reference
	NC	NW	A	B	C	D		
Bosch Compact 90° Elbow Swivel Interface								
CIH08-90-BC2	08	7.5	33.3mm	30.3mm	20.5mm	10.0mm	2 Way	1 928 403 137*
CIH08-90-BC3	08	7.5	33.3mm	30.3mm	26.7mm	10.0mm	3 Way	1 928 403 110*
CIH12-90-BC2	12	10	33.3mm	30.3mm	20.5mm	10.0mm	2 Way	1 928 403 137*
CIH08-90-BC4*	08	7.5	37.0mm	30.3mm	33.3mm	10.0mm	4 Way	
CIH12-90-BC4*	12	10	37.0mm	30.3mm	33.3mm	10.0mm	4 Way	

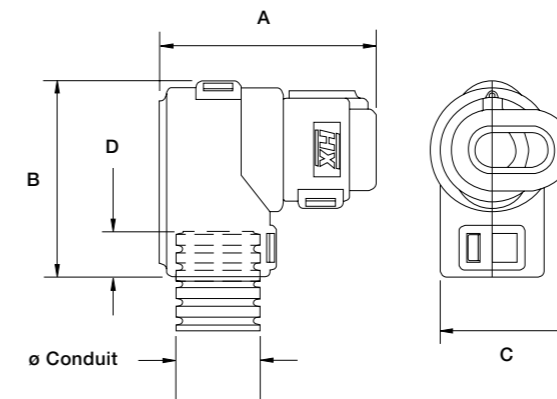
*Made to order - Part numbers listed are available to order but not stocked items, and would therefore be subject to manufacturing leadtime



Approvals
CE Mark to the Low Voltage Directive
RoHS Compliant to 2011/65/EU
 Conforms with **End of Life Vehicle directive (ELV) EU200/53/EC**

IP Rating	Appropriate Conduit	Fire Performance	Temperature Range
For use with: All conduits in the Harnessflex range			
IP40	Yes	Self Extinguishing	-40°C to +200°C
IP67	N/A	Low Smoke Toxicity	
IP68	N/A	Halogen Free	UV Resistance
		UL94 V2 / UL94 RTI 150 (Elec)	High

Dimensions
External 90° elbow connector interface



Dimensions
External straight connector interface

