

Sealed fittings X-piece



X-piece - Sealed Fittings

Symmetrical 4 junction compression type fitting providing a variety of conduit size configurations. These fittings are designed for use with all types of unslit Harnessflex conduit, maintaining maximum conduit bore.

X-piece Part No.	Cap Nut	Sealing Bush	Conduit Size (NC)				Conduit Size (NW)			
			A	B	C	D	A	B	C	D
XP20	CN16	SRN16	20	20	20	20	17	17	17	17

NOTE: Order X-piece bodies, cap nuts and sealing bushes separately

X-piece Part No.	E	F	G	H
XP20	80mm	80mm	35mm	20mm

X-piece Sealed Fitting



Approvals

ADR Approved (NC conduits ONLY)

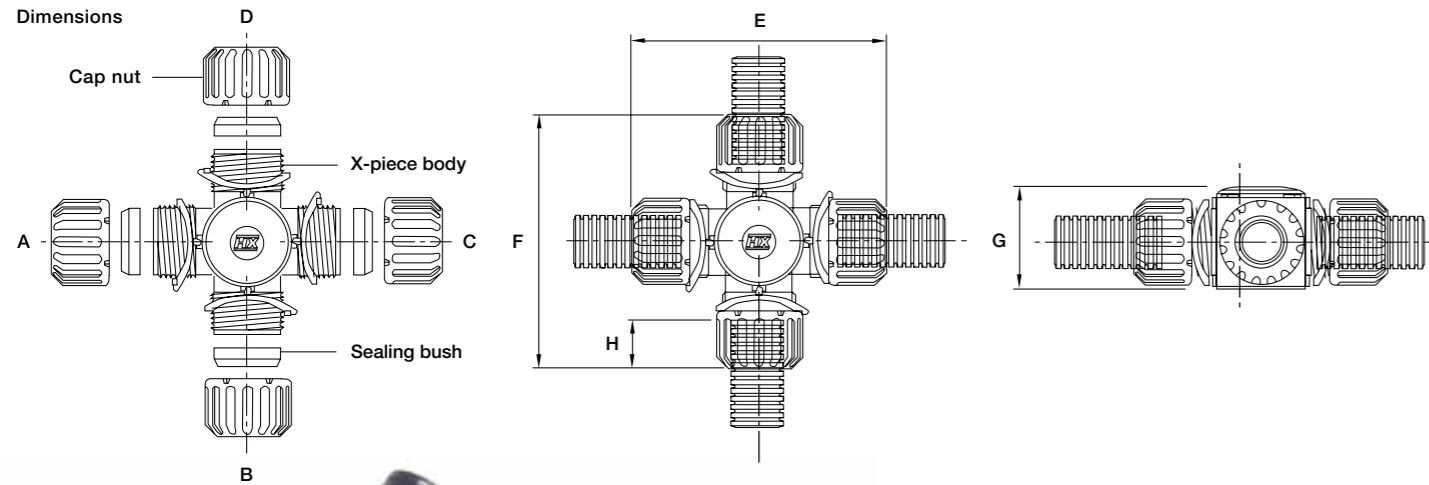
CE Mark to the Low Voltage Directive

RoHS Compliant to 2011/65/EU

Conforms with End of Life Vehicle directive (ELV) EU200/53/EC

IP Rating	Appropriate Conduit	Fire Performance	Temperature Range
For use with:	All conduits in the Harnessflex range	Self Extinguishing	-40°C to +150°C
IP40	N/A	Low Smoke Toxicity	
IP67	Yes	Halogen Free	UV Resistance
IP68	Yes (2 bar 30mins)		Very High

Dimensions



- 1 IP67 Sealing bush**
Protects against the ingress of water and dust.
- 2 Cap-nut retention ring**
Ensures integrity of assembly under extreme vibration.
- 3 Smooth contoured internal form**
Protects cables from damage during installation.
- 4 Removable IP67 inspection lid**
Provides easy access to cables during installation.

Sealed fittings Multi-way fitting



Multi-way Fitting - Sealed Fittings

Asymmetrical 4 junction compression fitting. These fittings are designed for use with all types of unslit Harnessflex conduit, maintaining maximum conduit bore.

Multi-way Fitting Part No.	Cap Nut		Sealing Bush		Conduit Size (NC)		Conduit Size (NW)	
	A	B	A	B	A	B	A	B
TPM2512	CN21	CN07	SRN21	SRN07	25	10	22	8.5
TPM2512	CN21	CN09	SRN21	SRN09	25	12	22	10
TPM2512	CN28	CN07	SRN28	SRN07	28	10	23	8.5
TPM2512	CN28	CN09	SRN28	SRN09	28	12	23	10

NOTE: Order Multi-way fitting, cap nuts and sealing bushes separately

Multi-way Fitting Part No.	C	D	E	F	G	H
TPM2512	105mm	74mm	55mm	40mm	21mm	17mm

NOTE: Dimensions refer to an overall assembly



Approvals

ADR Approved (NC conduits ONLY)

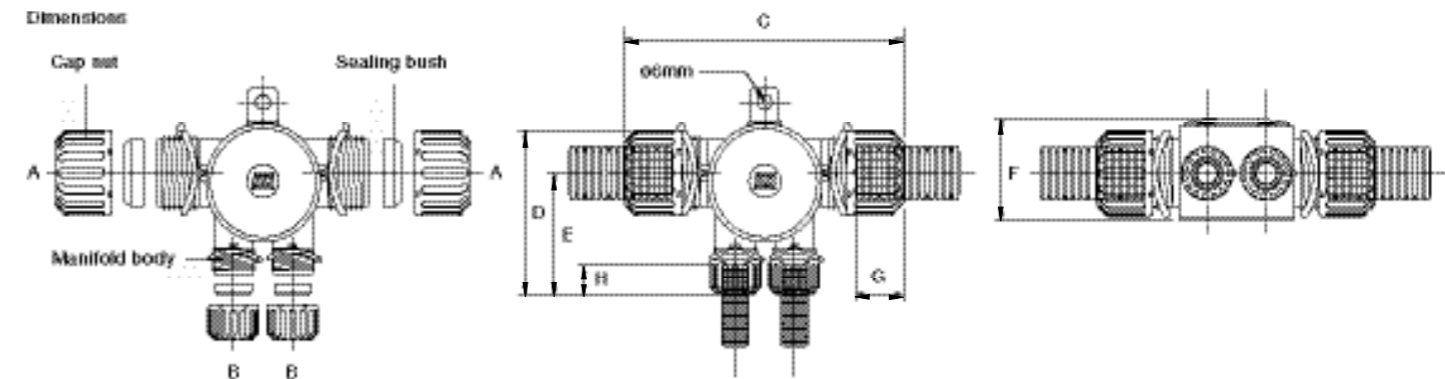
CE Mark to the Low Voltage Directive

RoHS Compliant to 2011/65/EU

Conforms with End of Life Vehicle directive (ELV) EU200/53/EC

IP Rating	Appropriate Conduit	Fire Performance	Temperature Range
For use with:	All conduits in the Harnessflex range	Self Extinguishing	-40°C to +150°C
IP40	N/A	Low Smoke Toxicity	
IP67	Yes	Halogen Free	UV Resistance
IP68	Yes (2 bar 30mins)		Very High

Dimensions



- 1 IP67 Sealing bush**
Protects against the ingress of water and dust.
- 2 Cap-nut retention ring**
Ensures integrity of assembly under extreme vibration.
- 3 Smooth contoured internal form**
Protects cables from damage during installation.
- 4 Integral mounting bracket**
Provides secure external fixing point.
- 5 Removable IP67 inspection lid**
Provides easy access to cables during installation.